

REV. LTR.	DESCRIPTION	SIGN	DATE
	Update drawing	PD X	2011.06.09

Ordering information:

PJ3002B 660AT ?? 4

(1) (2)(3) (4)(5) (6) (7)

(1):Series No

(2):Schematic option: C

(3):Material of housing:PB=PBT

(4):Housing color:

0A=Black

Zero (5):Terminal plating:T=Tin(Sn)

(6):Special option:

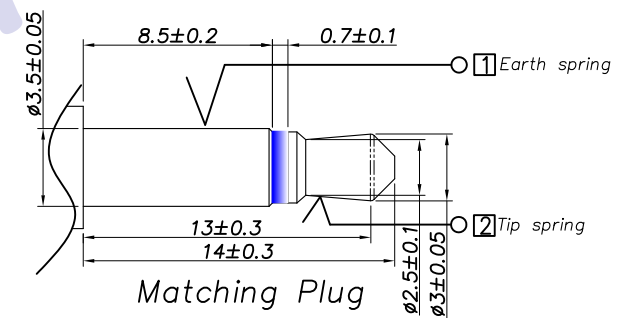
0N:Bushing is Nickel plating (Standard)

Zero (6):Special option:
0G:Bushing is Gold plating

0C:Bushing is Copper&Tin Plating

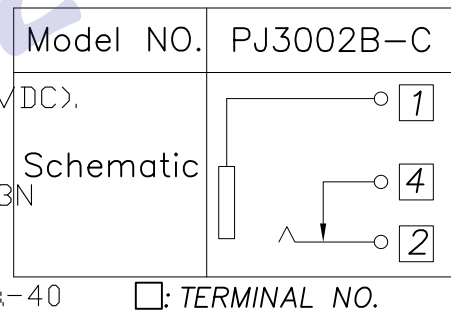
(7):Packing mode:

4:Bag packing



Specification:

- 1.Rating ?DC 30V 0.5A.
- 2.Contact resistance?≤30m?.
After test:≤50m?
- 3.Insulation resistance??100M? (500V DC).
After test:750M?
- 4.Withstanding voltage?500VAC.
- 5.Insertion and extraction force?3N
- 6.life test?5000cycles min.
- 7.□operation temperature range?-20
- 8.Preservative temperature range:-40
- 9.Sign"? "is importance dimension.



5	Shunt terminal	4	1	Brass t0.3	Tin Plating
4	Tip spring	2	1	Stainless steel t0.2	Tin Plating
3	Earth spring	1	1	Brass t0.3	Tin Plating
2	Bushing		1	Copper alloy	Nickel/gold/copper&tin Plating
1	Housing		1	PBT	Black
NO.	DESCRIPTION	QTY	MATERIAL	REMARK	

UNIT:MM	TYPE:	MODEL NO:	PAPER NO: A4	PAGE 1 OF 1	
∅	∅3.5 PHONE JACK	PJ3002B-C660AS	TOLERANCE	ANGLES	SCALE
			±0.3	±2°	FULL
					VER 2

DESIGNER BY:	PD X	2011.06.09
CHECK BY:		
APPROVED BY:		

HDC有限公司