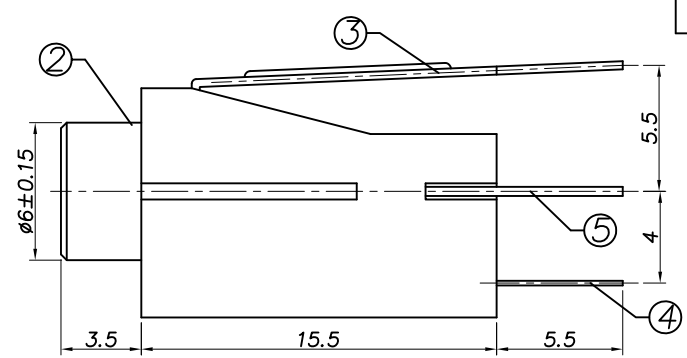
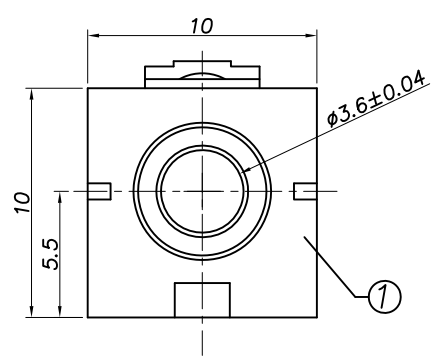
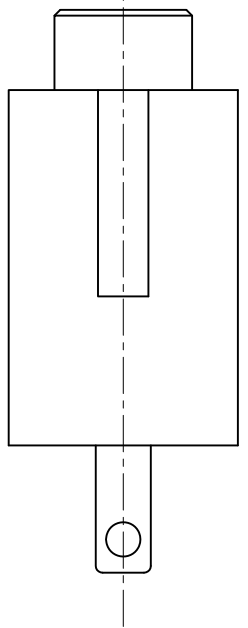
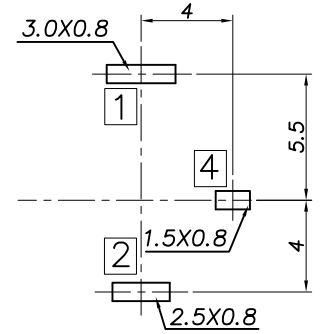


1	2	3	4	5	6	7
REV. LTR.	DESCRIPTION			SIGN	DATE	



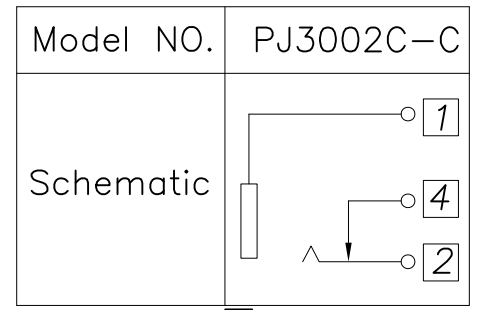
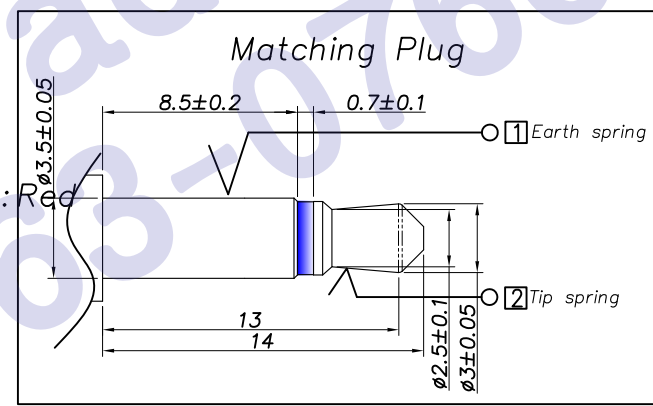
P.C.B.Layout
(Copper-sided view)



Ordering information:

PJ3002C-C PB 0A T ?? 4
 (1) (2) (3) (4) (5) (6) (7)

- (1): Series No
- (2): Schematic option: C
- (3): Material of housing:
PB: PBT (Only)
- (4): Housing color:
0A: Black (Standard)
3_: Orange
4_: Yellow
5_: Green
- (5) 6 Terminal plating
P: Tin (Standard)
S: Silver (Ag)
- (6): Special option
0N: Bushing is Nickel plating (Standard)
0G: Bushing is Gold plating
0C: Bushing is Cu&Tin Plating
- (7): Packing mode:
4: Bag packing



SPECIFICATION

- 1. Rating ? DC 30V 0.5A?
- 2. Contact resistance $\le 50m\Omega$?
- 3. Insulation resistance $\ge 100M\Omega$ (DC250V)?
- 4. Withstand voltage $\ge 500VAC$?
- 5. Insertion and extraction force $\le 30N$?
- 6. life test $\ge 5,000$ cycles

NO.	DESCRIPTION	QTY	MATERIAL	PLATING
5	Shunt terminal	4	1 Brass	Sn-Plating
4	Tip spring	2	1 Stainless steel	Sn-Plating
3	Earth spring	1	1 Brass	Sn-Plating
2	Bushing	1	1 Brass	Ni/Au/Cu-Sn-Plating
1	Housing	1	1 PBT	Black

UNIT:MM	TYPE:	MODEL NO:	PAPER NO: A4	PAGE 1 OF 1
	$\phi 3.5$ PHONE JACK	PJ3002C-CPBOAT	TOLERANCE: ±0.3	ANGLES: ±2°
DESIGNER BY:	Zhuhong	2008/10/16	SCALE: FULL	VER: 1

HDC有限公司