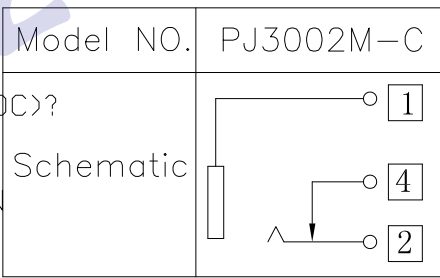


RECOMMENDED P. C. B. LAYOUT
UNSPECIFIED TOLERANCE: ±0.05
(COPPER-SIDED VIEW)

- Specification:
- 1.Rating ?DC 30V 0.5A?
 - 2.Contact resistance?≤50m?? After test:≤100m?
 - 3.Insulation resistance??100M? (500VDC)? After test:~50M?
 - 4.Withstanding voltage?500VAC ?
 - 5.Insertion and extraction force??3N
 - 6.life test?5000cycles min?
 7. Operation temperature range??-20~70?
 - 8.Preservative temperature range??-40~85?
 - 9.Sign"? "is importance dimension



REV. LTR.	DESCRIPTION	SIGN	DATE
	Update drawing	PD X	2011.05.05

Ordering information:

PJ3002M 660AS ?? 4

(1) (2)(3) (4)(5) (6) (7)

(1):Series No

(2):Schematic option: C

(3):Material of housing:66=PA66

(4):Housing color:

0A=Black

(5):Terminal plating:S=Silver(Ag)

(6):Special option:

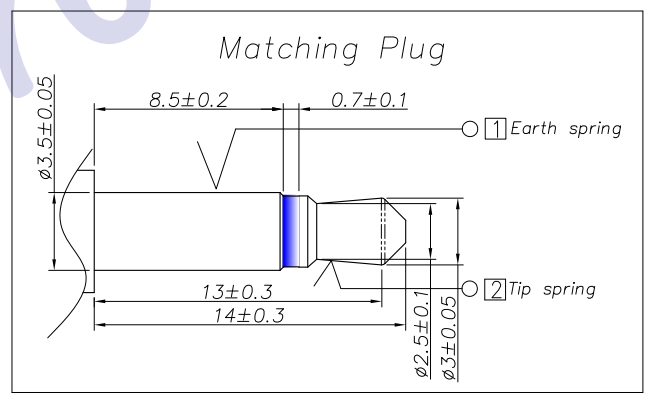
0N:Bushing is Nickel plating (Standard)

0G:Bushing is Gold plating

0C:Bushing is Copper&Tin Plating

(7):Packing mode:

4:Bag packing



5	Shunt terminal	4	1	Brass	Silver Plating
4	Tip spring	2	1	Manganese steel	Silver Plating
3	Earth spring	1	1	Brass	Silver Plating
2	Bushing		1	Copper alloy	Nickel/gold/copper&tin Plating
1	Housing		1	PA66,UL 94HB	Black
NO.	DESCRIPTION	QTY	MATERIAL	REMARK	

UNIT:MM	TYPE:	MODEL NO:	PAPER NO: A4	PAGE 1 OF 1	
	φ3.5 PHONE JACK	PJ3002M-C660AS_ _4	TOLERANCE	ANGLES	SCALE VER
			±0.3	±2°	FULL 2

DESIGNER BY: PD X 2011.05.05

CHECK BY:

APPROVED BY:

HDC有限公司