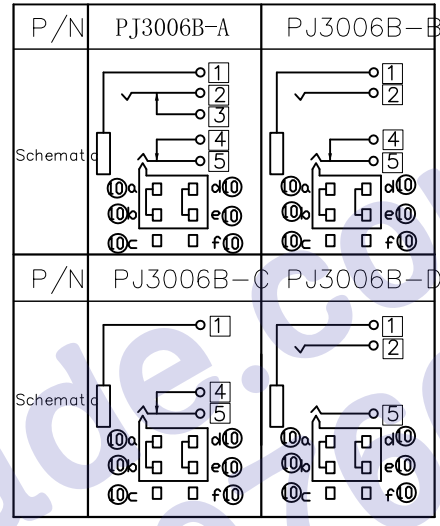
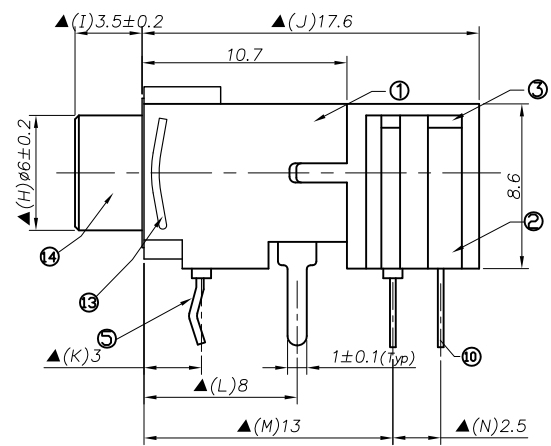
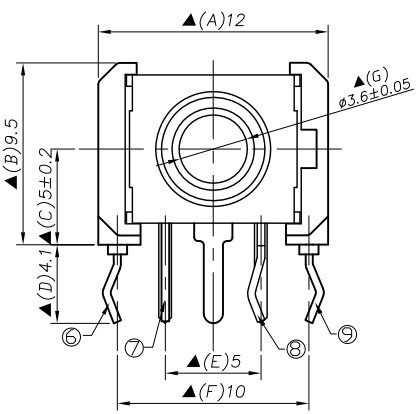
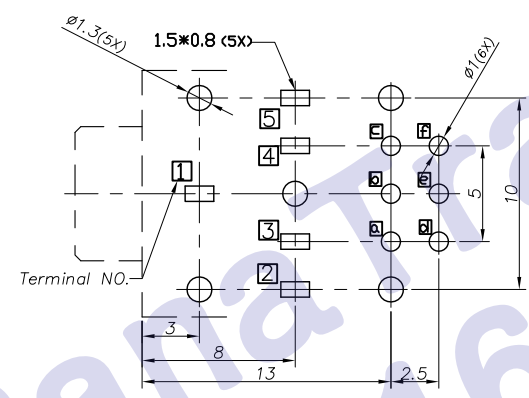
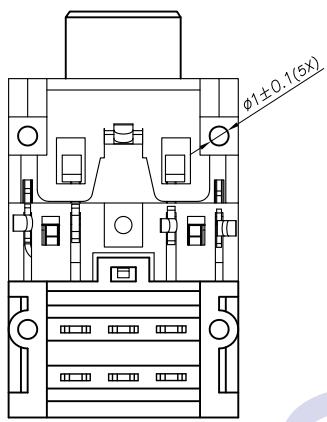


REV. LTR.	DESCRIPTION	SIGN	DATE
	Update drawing	PD X	2011.05.20



Ordering information:  
 PJ3006B - □ 66 0A T □ □ 3  
 (1) (2) (3) (4) (5) (6) (7)  
 (1):Series No.  
 (2):Schematic option:A B C D  
 (3):Material of housing:  
 66=PA66 (Standard)  
 (4):Housing color:0A=Black  
 (5):Terminal plating  
 T=1#~4# Terminal are Tin(Sn) plating,  
 But 5#andswitch Terminal are silver(Ag)  
 plating (Standard)  
 (6):Special option:  
 00=With spring  
 01=Without spring  
 (7):Packing mode:  
 3=Plastic box packing

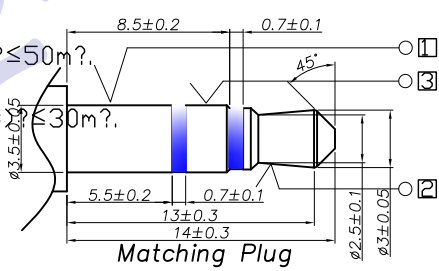


RECOMMENDED P.C.B. LAYOUT  
 UNSPECIFIED TOLERANCE: ±0.05  
 (BOTTOM VIEW)

⑭	Bushing	1	Copper alloy	PJ30060-88(ZT-JK0014)	Nickel plating
⑬	Spring(?? )	1	Spring wire	PJ30060-65(TP-JK0013)	Nickel plating
⑫	Spring	1	Spring wire	PJ3017A-66(TH-JK0003)	
⑪	Clip	2	Alloy t0.05	PJ3017A-55	
⑩	Switch terminal	6	Brass t0.35	PJ3017R-06	Silver(Ag) plating
⑨	Tip spring	1	Stainless steel t0.25	PJ3006B-05(TP-876)	Silver(Ag) plating
⑧	Shunt terminal	1	Brass t0.4	PJ30060-04(JA-JK0025)	Tin plating
⑦	Shunt terminal	1	Brass t0.4	PJ30060-03(JA-JK0024)	Tin plating
⑥	Ring spring	1	Phosphor bronze t0.25	PJ30060-02(JA-JK0023)	Tin plating
⑤	Earth terminal	1	Brass t0.5	PJ30060-01(JA-JK0022)	Tin plating
④	Slide housing	1	PA66	PJ3017A-S4(HK-JK0004)	Black
③	Switch cover	1	PA66	PJ3017A-S2(GZ-JK0008)	Black
②	Switch Housing	1	PBT	PJ3006B-S3(KJ-877)	Black
①	Housing	1	PA66	PJ30060-S1(ST-JK0014)	Black

UNIT:MM	TYPE:	MODEL NO:	PAPER NO: A4	PAGE 1 OF 1
⊕	φ3.5 PHONE JACK	PJ3006B-660AT_3	TOLERANCE	SCALE
			±0.3	±2°
			FULL	5

- D Specification:
- Rating ?DC 30V 0.5A.
  - (1) Contact resistance(Front body:1#-5#)?≤50m?, After test:≤100m?
  - (2) Contact resistance(After body:a#-f#)?≤30m?, After test:≤50m?
  - Insulation resistance??100M? (500VDC), After test:??50M?
  - Withstanding voltage?500VAC.
  - Insertion and extraction force?3N?30N.
  - life test?5000cycles min.
  - Operation temperature range?20
  - Preservative temperature range:-40
  - Sign"?" is importance dimension.



DESIGNER BY: PD X 2011.05.20  
 CHECK BY:  
 APPROVED BY:

HDC有限公司