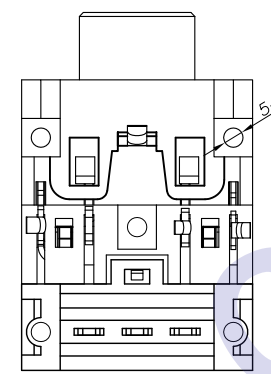
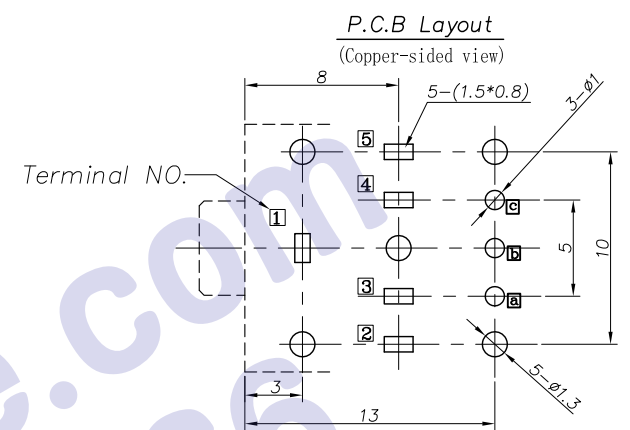
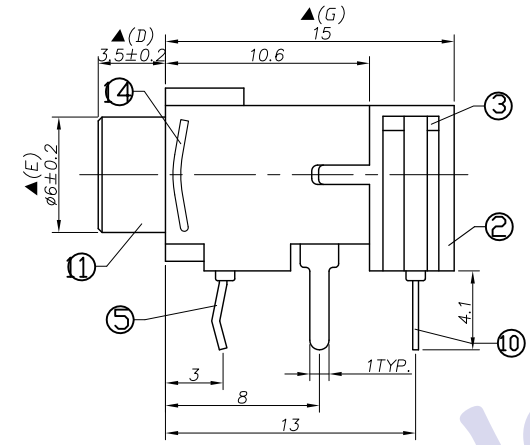
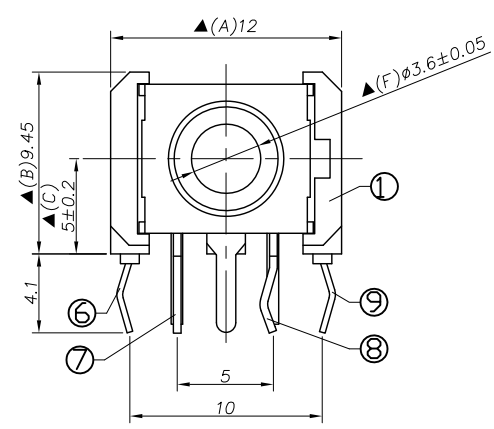


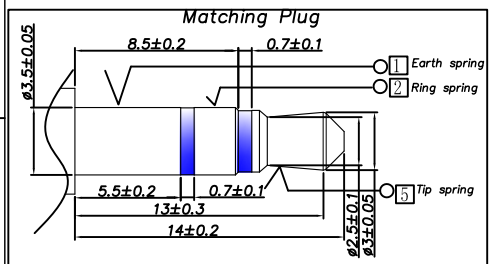
REV. LTR.	DESCRIPTION	SIGN	DATE
△	Material of slide housing from POM changed PA66	yang gang	09.12.22



Specification:
 1. Rating : DC 30V 0.5A;
 2.1. Contact resistance (Front body: 1#~5#): ≤50mΩ;
 After test: ≤100mΩ
 2.2. Contact resistance (After body: a#~c#): ≤30mΩ;
 After test: ≤50mΩ
 3. Insulation resistance: ≥100MΩ (500VDC);
 After test: ≥50MΩ
 4. Withstand voltage: 500VAC;
 5. Insertion and extraction force: 3N~30N;
 6. Life test: 5000cycles min;
 7. Operation temperature range: -20℃~70℃
 8. Preservative temperature range: -40℃~85℃
 9. Sign "▲" is importance dimension

Ordering information:
 PJ3006C - □ 66 0A □ 00 3
 (1) (2) (3) (4) (5) (6) (7)

- (1): Series No.
- (2): Schematic option:
A B C D
- (3): Material of housing:
66=PA66 (Standard)
- (4): Bushing or Housing color:
0A=Black
- (5): Terminal plating
T=1~4# Terminal are Tin(Sn) plating, But 5# and switch Terminal are Silver(Ag) plating (Standard)
S=All Terminal are Silver(Ag) plating
- (6): Special option:
00=No special option
- (7): Packing mode:
3=Plastic box packing



Model NO.	PJ3006C-A	PJ3006C-B	PJ3006C-C	PJ3006C-D
Schematic				

□ : TERMINAL NO. ○ : ITEM NO.

NO.	DESCRIPTION	QTY	MATERIAL	PART NO.	REMARK
④	Spring(??)	1	Spring wire	PJ30060-65(TP-JK0013)	Nickel(Ni) plating
③	Spring	1	Spring wire	PJ3017A-66(TH-JK0003)	Nickel(Ni) plating
②	Clip	1	Alloy 0.05t	PJ3017A-55(DP-JK0003)	
①	Bushing	1	Copper alloy	PJ30060-88(ZT-JK0014)	Nickel(Ni) plating
⑩	Switch terminal	3	Brass 0.35t	PJ3017R-06	Silver(Ag) plating
⑨	Tip spring	5	Stainless steel 0.25t	PJ3006B-05(TP-876)	Silver(Ag) plating
⑧	Shunt terminal	4	Brass 0.4t	PJ30060-04(JA-JK0025)	Tin(Sn) plating
⑦	Shunt terminal	3	Brass 0.4t	PJ30060-03(JA-JK0024)	Tin(Sn) plating
⑥	Ring spring	2	Phosphor bronze 0.25t	PJ30060-02(JA-JK0023)	Tin(Sn) plating
⑤	Earth terminal	1	Brass 0.50t	PJ30060-01(JA-JK0022)	Tin(Sn) plating
④	Slide housing	1	PA66+15%GF ▲	PJ3006C-S4(HK-920)	Black
③	Switch cover	1	PA66+15%GF	PJ3006C-S2(GZ-918)	Black
②	Switch housing	1	PBT	PJ3006C-S3(KJ-919)	Black
①	Housing	1	PA66+15%GF	PJ30060-S1(ST-JK0014)	Black

UNIT:MM	TYPE:	MODEL NO:	PAPER NO: A4	PAGE 1 OF 1
	φ3.5PHONE JACK	PJ3006C-_660A_003	TOLERANCE	ANGLES
			±0.3	±2°
			SCALE	VER
			FULL	2

DESIGNER BY: yang gang 2010.06.17
 CHECK BY:
 APPROVED BY:

HDC有限公司