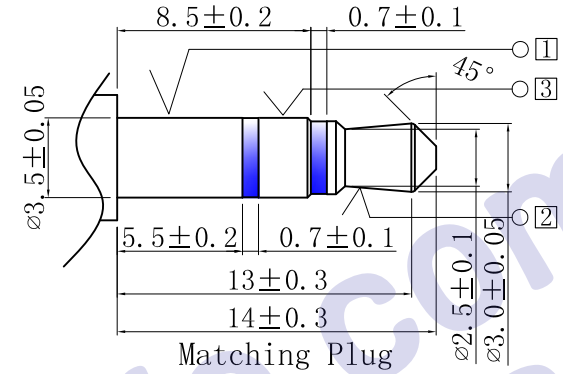
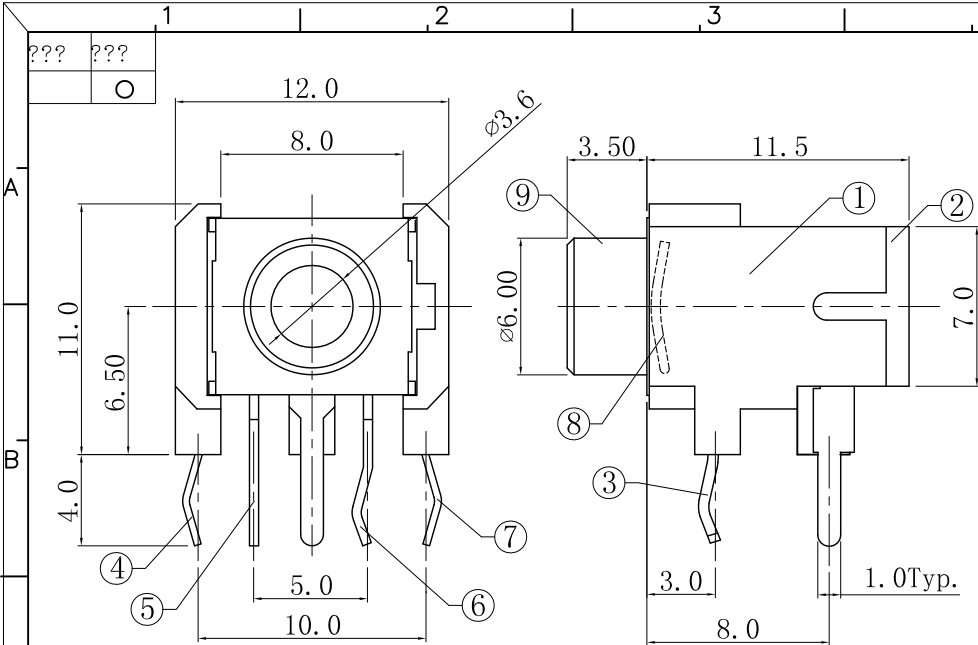
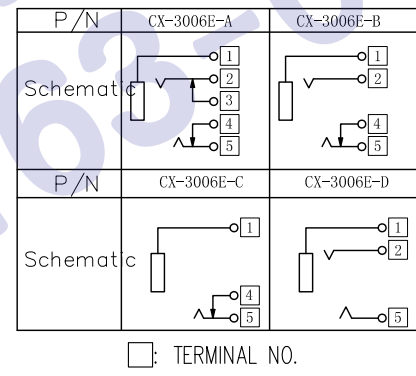
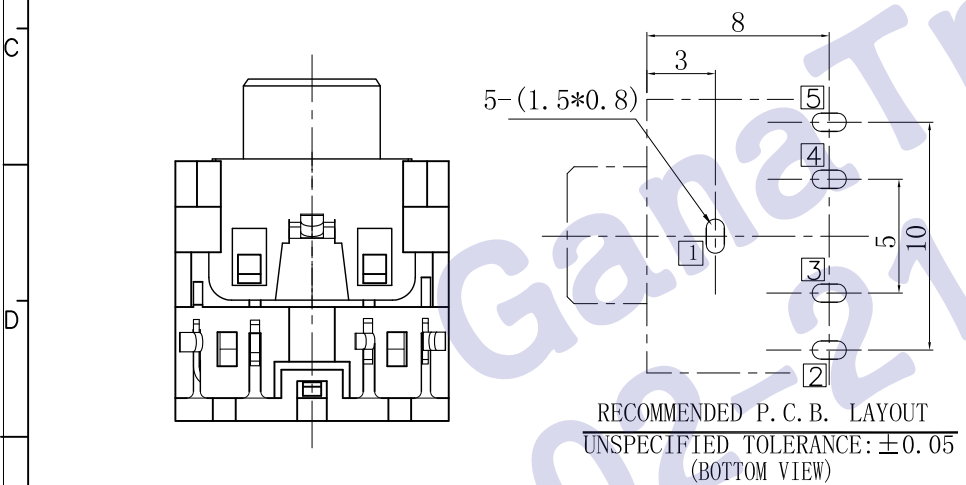


|      |         |             |        |       |
|------|---------|-------------|--------|-------|
| Mark | ECN NO. | DESCRIPTION | DESIGN | Date: |
|      |         |             |        |       |



Ordering information:  
 CX-3006E- □ 66 0A T 01 3  
 (1) (2) (3) (4) (5) (6) (7)  
 (1): Series No.  
 (2): Schematic option: A B C D  
 (3): Material of housing:  
 66=PA66 (Standard)  
 (4): Bushing or Housing color:  
 Zero—0A=Black  
 (5): Terminal plating  
 T=Tin plating (Standard)  
 (6): Special option:  
 01=Bushing with Au plating  
 (7): Packing mode:  
 3=Plastic box packing



Specification:  
 1. Rating : DC 30V 0.5A.  
 2. Contact resistance:  $\leq 30m\Omega$ .  
 After test:  $\leq 50m\Omega$   
 3. Insulation resistance:  $\geq 100M\Omega$  (500VDC).  
 After test:  $\geq 50M\Omega$   
 4. Withstanding voltage: 500VAC.  
 5. Insertion and extraction force: 3N~30N.  
 6. life test: 5000cycles min.  
 7. Operation temperature range:  $-20^{\circ}C \sim 70^{\circ}C$ .  
 8. Preservative temperature range:  $-40^{\circ}C \sim 85^{\circ}C$ .

|     |                |     |                                  |                           |
|-----|----------------|-----|----------------------------------|---------------------------|
| ⑨   | Bushing        | 1   | Brass(H59)                       | Au? 1u"Min                |
| ⑧   | Spring(?? )    | 1   | Spring wire(SUS301)              | Ni? 80u"Min               |
| ⑦   | Tip spring     | ⑤   | Phosphor bronze(C5210R-SH) t0.3  | Ni: 30u"Min; Sn: 120u"Min |
| ⑥   | Shunt terminal | ④   | Brass t0.4(C2680R-EH)            | Ni: 30u"Min; Sn: 120u"Min |
| ⑤   | Shunt terminal | ③   | Brass t0.4(C2680R-EH)            | Ni: 30u"Min; Sn: 120u"Min |
| ④   | Ring spring    | ②   | Phosphor bronze(C5210R-SH) t0.25 | Ni: 30u"Min; Sn: 120u"Min |
| ③   | Earth terminal | ①   | Brass(C2680R-1/2H) t0.5          | Ni: 30u"Min; Sn: 120u"Min |
| ②   | Cover          | 1   | PBT,UL 94V-0                     | Black                     |
| ①   | Housing        | 1   | PA66,UL 94V-0                    | Black                     |
| NO. | DESCRIPTION    | QTY | MATERIAL                         | REMARK                    |

|             |                            |                     |
|-------------|----------------------------|---------------------|
| Tolerance   | Model Name: 3.5 PHONE JACK | Drawing: Allen Xiao |
| X.X ±0.30   | Model No: PJ-3006E-        | Checked: Matt       |
| X.XX ±0.20  | SCALE: FULL                | Approved: Ocean     |
| X.XXX ±0.10 |                            | REVISION: A1        |
| Angle ±3.0° | SHEET 1/1                  | Date: 2011/08/15    |
| UNIT:mm     | HDC有限公司                    |                     |
|             |                            | FILE:<br>DWG NO.    |