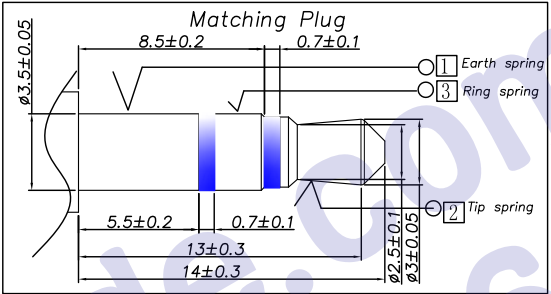
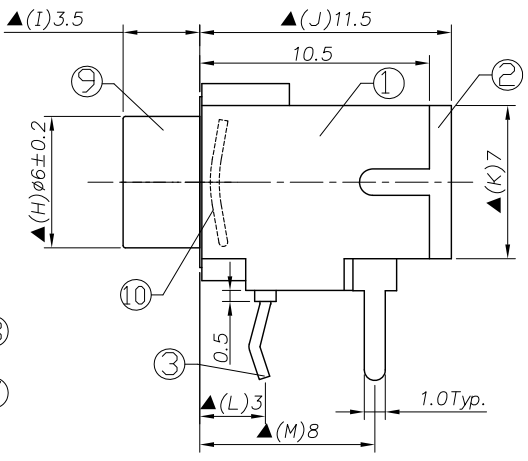
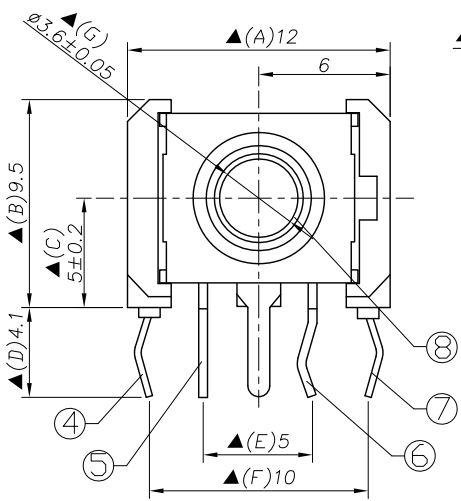
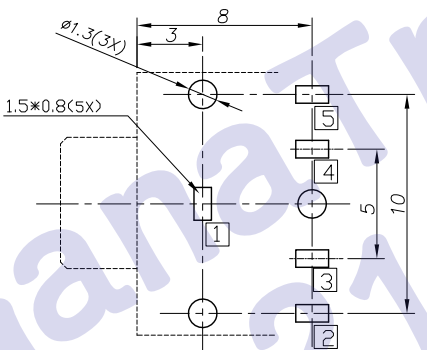
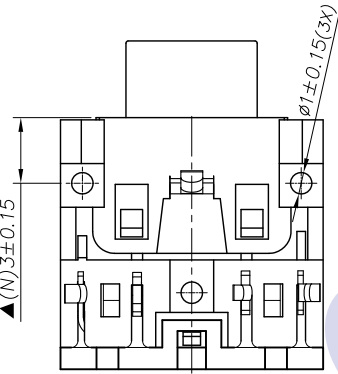


REV. LTR.	DESCRIPTION	SIGN	DATE
	Update drawing	PD X	2011.05.05



Ordering information:
 P J 3 0 0 6 F _ 6 6 _ _ _ 0 0 3
 (1) (2) (3) (4) (5) (6) (7)
 (1):Series No
 (2):Schematic option:A B C D E
 (3):Material of housing:66=PA66
 (4):Bushing color:
 0A=Black 2G=Red(0089)
 2H=Red(0030) 5E=Green(0090)
 5V=Green(0012) 5G=Green(0446)
 6A=Blue(0011)
 (5):Terminal plating:
 T=Tin(Sn) plating (Standard)
 S=Silver(Ag) plating
 (6):Special option:
 00=No special option
 (7):Packing mode:
 3=Plastic box packing



RECOMMENDED P. C. B. LAYOUT
 UNSPECIFIED TOLERANCE: ±0.05
 (COPPER-SIDED VIEW)

Model No.	PJ3006F-A	PJ3006F-B	PJ3006F-C	PJ3006F-D	PJ3006F-E
Schematic					

□: TERMINAL NO.

⑩ Spring(??)	1	Spring wire	PJ30060-65(TP-JK0013)	Nickel: 50u"Min.
⑨ Bushing	1	PBT	PJ3006D-S7(OT-JK0002)	
⑧ Bushing	1	Copper alloy	PJ3006D-88(ZT-JK0019)	Nickel: 50u"Min.
⑦ Tip spring	⑤	Phosphor bronze t0.30	PJ30060-05(JA-JK0026)	Tin: 100u"Min./silver: 20u"Min.
⑥ Shunt terminal	④	Brass t0.40	PJ30060-04(JA-JK0025)	Tin: 100u"Min./silver: 20u"Min.
⑤ Shunt terminal	③	Brass t0.40	PJ30060-03(JA-JK0024)	Tin: 100u"Min./silver: 20u"Min.
④ Ring spring	②	Phosphor bronze t0.25	PJ30060-02(JA-JK0023)	Tin: 100u"Min./silver: 20u"Min.
③ Earth terminal	①	Brass t0.50	PJ30060-01(JA-JK0022)	Tin: 100u"Min./silver: 20u"Min.
② cover	1	PBT	PJ30170-S2(GZ-JK0001)	Black
① Housing	1	PA66	PJ30060-S1(ST-JK0014)	Black

NO.	DESCRIPTION	QTY	MATERIAL	PART NO.	REMARK
-----	-------------	-----	----------	----------	--------

UNIT:MM	TYPE:	MODEL NO:	PAPER NO: A4	PAGE 1 OF 1
	ø3.5 PHONE JACK	PJ3006F- 66 _ _ 003	TOLERANCE	ANGLES
			±0.3	±2°
			SCALE	VER
			FULL	4

DESIGNER BY:	PD X 2011.05.05
CHECK BY:	
APPROVED BY:	

HDC有限公司

- Specification:
 1.Rating ?DC 30V 0.5A?
 2.Contact resistance?≤30m??
 After test:≤50m?
 3.Insulation resistance??100M? (500VDC)?
 After test:50M?
 4.Withstanding voltage?500VAC ?
 5.Insertion and extraction force??3N
 6.life test?5000cycles min?
 7.Operation temperature range?-20
 8.Preservative temperature range?-40
 9.Sign"? "is importance dimension