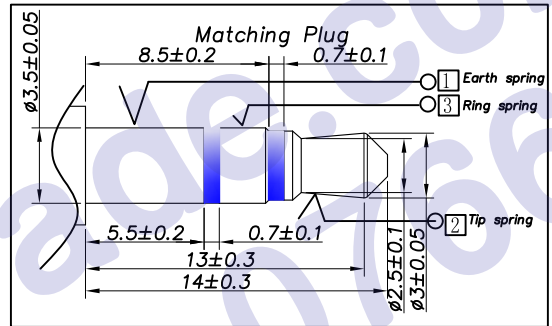
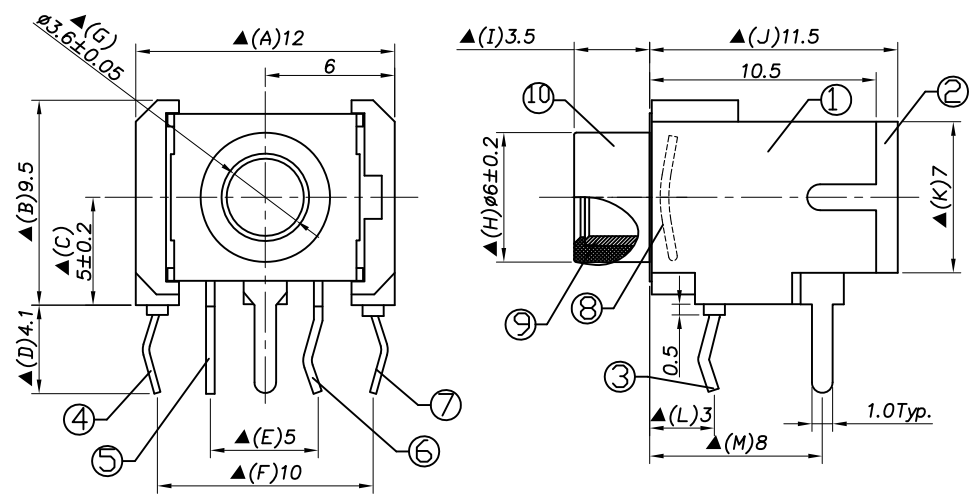
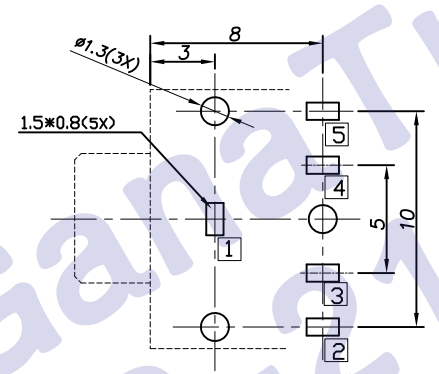
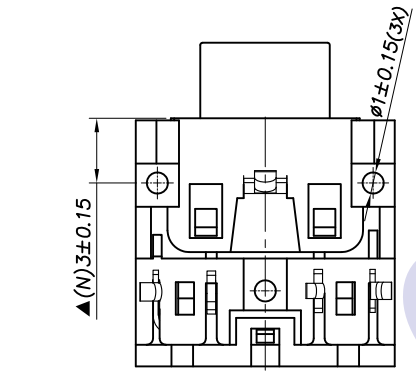


REV. LTR.	DESCRIPTION	SIGN	DATE
	Update drawing	PD X	2011.05.05



Ordering information:
PJ3006P 66?? ? 00 3
 (1) (2) (3) (4) (5) (6)(7)
 (1):Series No
 (2):Schematic option:A B C D E
 (3):Material of housing:66=PA66
 (4):Bushing color:
 0A=Black 2D=Red(0132)
 3A=Orange(0154) 5V=Green(0015)
 6A=Blue(0263)
 (5):Terminal plating:
 T=Tin(Sn) plating (Standard)
 S=Silver(Ag) plating
 (6):Special option:
 00=No special option
 (7):Packing mode:
 3=Plastic box packing



RECOMMENDED P. C. B. LAYOUT
 UNSPECIFIED TOLERANCE: ±0.05
 (COPPER-SIDED VIEW)

Model No.	PJ3006P-A	PJ3006P-B	PJ3006P-C	PJ3006P-D	PJ3006P-E
Schematic					

□: TERMINAL NO.

- Specification:
 1.Rating ?DC 30V 0.5A?
 2.Contact resistance?≤30m??
 After test:≤50m?
 3.Insulation resistance??100M? (500VDC)?
 After test:~50M?
 4.Withstanding voltage?500VAC ?
 5.Insertion and extraction force??3N
 6.life test?5000cycles min?
 7.□operation temperature range?-20
 8.Preservative temperature range:-40
 9.Sign"? "is importance dimension

⑩	Bushing	1	PBT	PJ3006P-S7(ZT-598)	
⑨	Bushing	1	Copper alloy	PJ3006P-88(ZT-599)	Nickel plating
⑧	Spring(卡簧)	1	Spring wire	PJ30060-65(TP-JK0013)	Nickel plating
⑦	Tip spring	5	Phosphor bronze t0.30	PJ30060-05(JA-JK0026)	Tin/silver plating
⑥	Shunt terminal	4	Brass t0.40	PJ30060-04(JA-JK0025)	Tin/silver plating
⑤	Shunt terminal	3	Brass t0.40	PJ30060-03(JA-JK0024)	Tin/silver plating
④	Ring spring	2	Phosphor bronze t0.25	PJ30060-02(JA-JK0023)	Tin/silver plating
③	Earth terminal	1	Brass t0.50	PJ30060-01(JA-JK0022)	Tin/silver plating
②	cover	1	PBT,UL 94V-0	PJ30170-S2(GZ-JK0001)	Black
①	Housing	1	PA66	PJ30060-S1(ST-JK0014)	Black
NO.	DESCRIPTION	QTY	MATERIAL	PART NO.	REMARK

UNIT:MM	TYPE:	MODEL NO:	PAPER NO: A4	PAGE 1 OF 1
	φ3.5 PHONE JACK	PJ3006P- 66- -003	TOLERANCE	ANGLES
			±0.3	±2°
			SCALE	VER
			FULL	1

DESIGNER BY: PD X 2011.05.05
 CHECK BY:
 APPROVED BY:

HDC有限公司