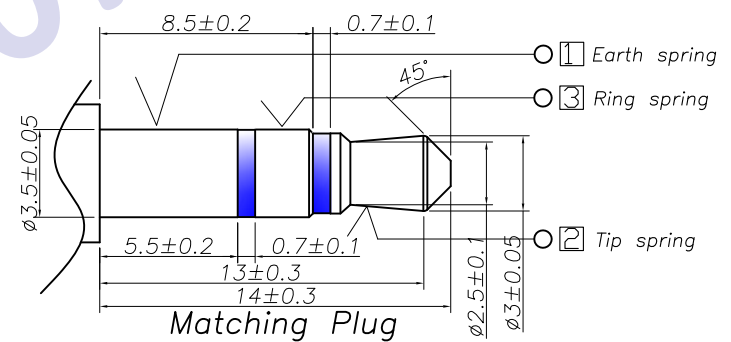
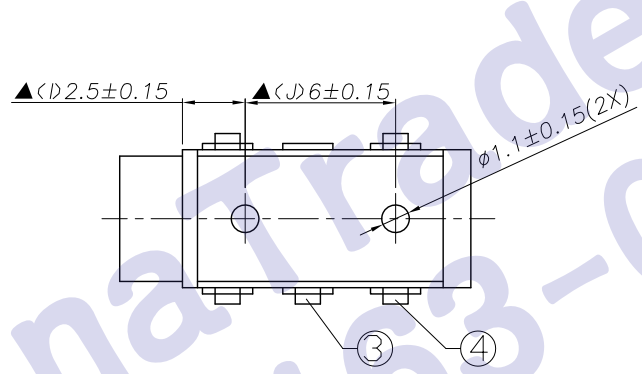
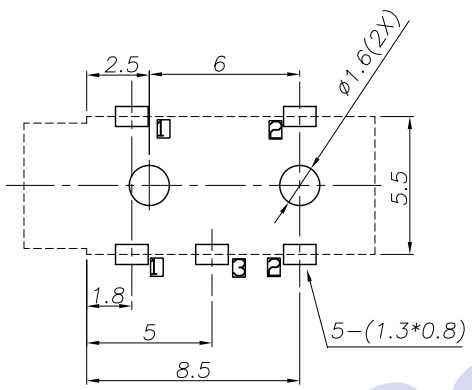
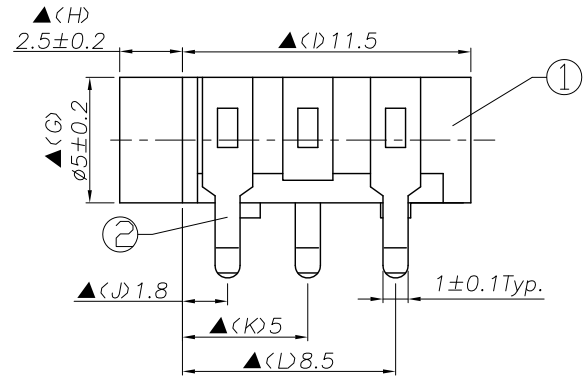
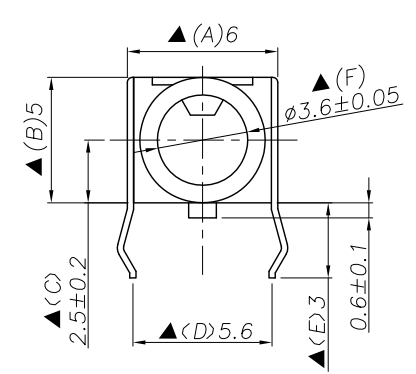


5	6	7	
REV. LTR.	DESCRIPTION	SIGN	DATE
	Instead Scheme	CHENBIN	2009.08.28
	Add Color code "2R"	Matt	2012.12.25

Ordering information:

PJ30130-0?? ? ? S 00 4
 (1) (2) (3) (4) (5) (6) (7)

- (1): Series No
- (2): Schematic option
- (3): Material of housing:
PB=PBT ; 46=PA46 ; PC=PC
- (4): Housing color: 0A=Black
2R=Red (0046 PBT)
2N=Red (0166) 4P=Yellow (0258)
5F=Green (0045) 5G=Green (577C)
9A=White (0100) 6A=Blue (0011)
- (5): Terminal plating
S: Silver (Ag) (standard)
- (6): Special option:
00: No special option
- (7): Packing mode:
4: Bag packing



Model No.	PJ30130-D
Schematic	

- Specification:
- Rating ?DC 30V 0.5A?
 - Contact resistance? ≤50m??
After test: ≤100m?
 - Insulation resistance??100M? (500VDC)?
After test: ?50M?
 - Withstand voltage? 500VAC ?
 - Insertion and extraction force? 30N? 3N
 - life test? 5000cycles min?
 - Operation temperature range? -20
 - Preservative temperature range? -40
 - Sign"? "is importance dimension

④	Tip spring	1	Stainless steel t0.25	PJ3013B-02(JK-0054)	Silver plating
③	Ring spring	1	Phosphor bronze t0.25	PJ3013B-04(JK-0052)	Silver plating
②	Earth spring	1	Phosphor bronze t0.25	PJ3013B-01(JK-0051)	Silver plating
①	Housing	1	PC\PBT\PA46	PJ30130-S1(ST-JK0031)	

NO.	DESCRIPTION	QTY	MATERIAL	PART NO.	REMARK
UNIT:MM	TYPE:		MODEL NO:	PAPER NO: A4	PAGE 1 OF 1
	ø3.5 PHONE JACK		PJ30130-D	SCALE	VER
				±0.3	4

DESIGNER BY: Pingdong Xiao 2011.04.08
 CHECK BY:
 APPROVED BY:

HDC有限公司