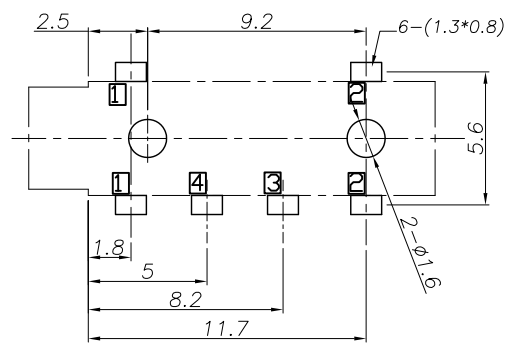
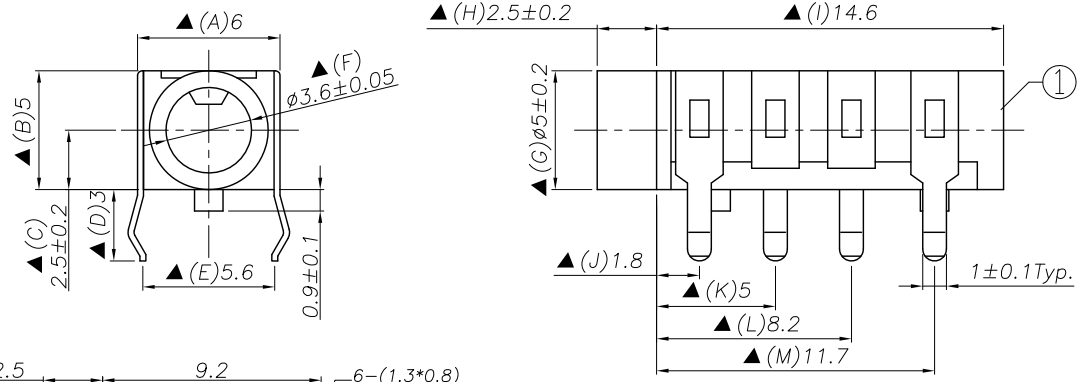
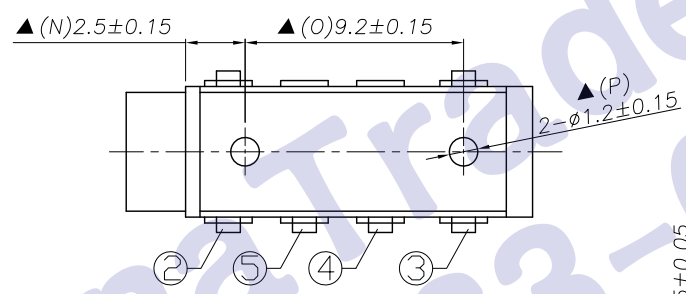


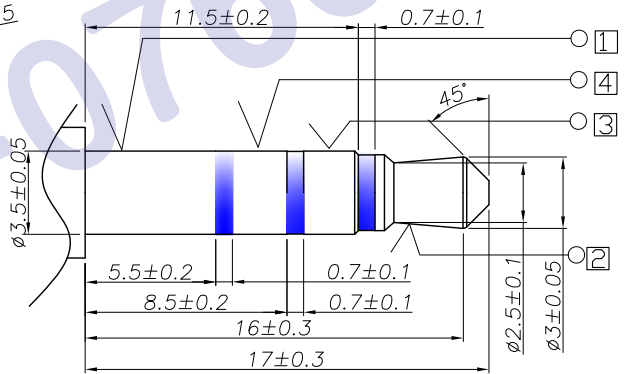
REV. LTR.	DESCRIPTION	SIGN	DATE
	Update drawing	PD X	2010.07.20



RECOMMENDED P. C. B. LAYOUT  
UNSPECIFIED TOLERANCE: ±0.05  
(BOTTOM VIEW)

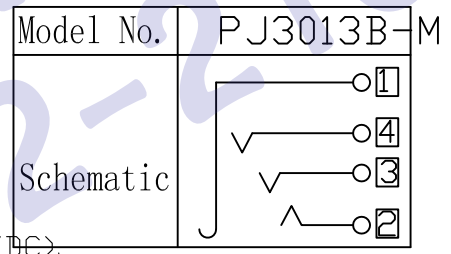


Ordering information:  
 PJ3013B-??-??-S004  
 (1) (2) (3) (4) (5)(6)(7)  
 (1):Series No  
 (2):Schematic option: M  
 (3):Material of housing:PB=PBT PC=PC 46=PA46  
 (4):Housing color: 0A=Black  
 4C=Yellow(0167=PA46) 5C=Green(0005=PC)  
 (5):Terminal plating:S=Silver(Ag)  
 (6):Special option:  
 00=No special option  
 (7):Packing mode:  
 4=Bag packing



Matching Plug

- Specification:
- Rating ?DC 30V 0.5A.
  - Contact resistance?≤50m?. After test:≤100m?
  - Insulation resistance??100M? (500V DC). After test:750M?
  - Withstanding voltage?500VAC.
  - Insertion and extraction force?3N
  - life test?5000cycles min.
  - Operation temperature range? -20~70°C
  - Preservative temperature range? -40~85°C
  - Sign"? "is importance dimension.



□: Terminal No.

NO.	DESCRIPTION	QTY	MATERIAL	PART NO.	REMARK
5	Ring spring	4	1 Phosphor bronze t0.25	PJ3013B-04	Silver plating
4	Ring spring	3	1 Stainless steel t0.25	PJ3013B-03	Silver plating
3	Tip spring	2	1 Stainless steel t0.25	PJ3013B-02	Silver plating
2	Earth spring	1	1 Phosphor bronze t0.25	PJ3013B-01	Silver plating
1	Housing	1	1 PBT/PC/PA46	PJ3013B-S1	

UNIT:MM	TYPE:	MODEL NO.:	PAPER NO. A4	PAGE 1 OF 1
	3.5 PHONE JACK	PJ3013B-M_ _ _	TOLERANCE S004 ±0.3	ANGLES ±2°
DESIGNER BY:	PD X	2010.07.20	SCALE N/A	VER 04

HDC有限公司