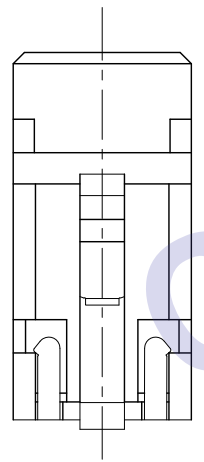
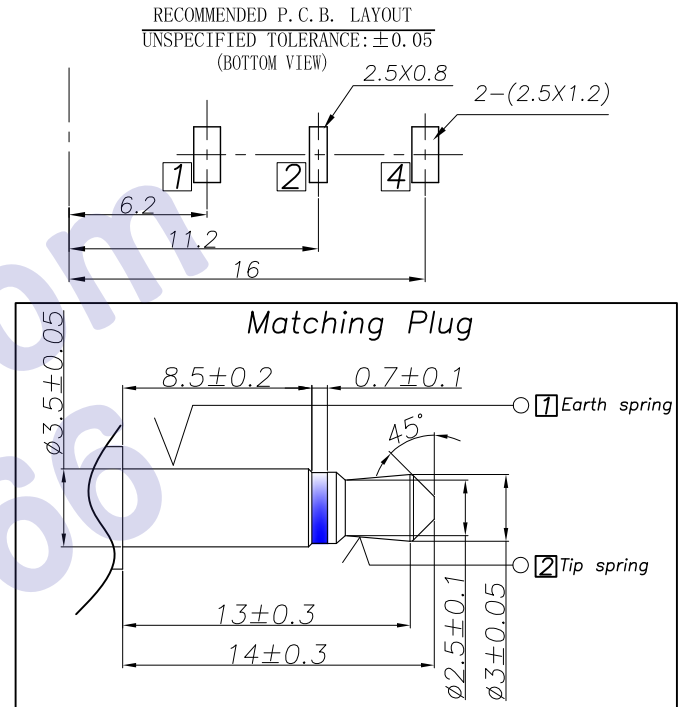
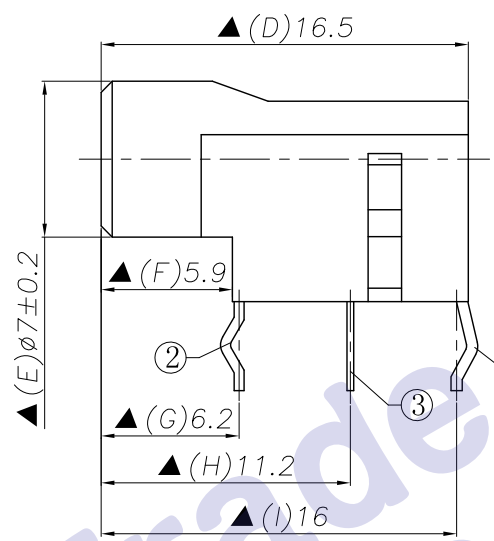
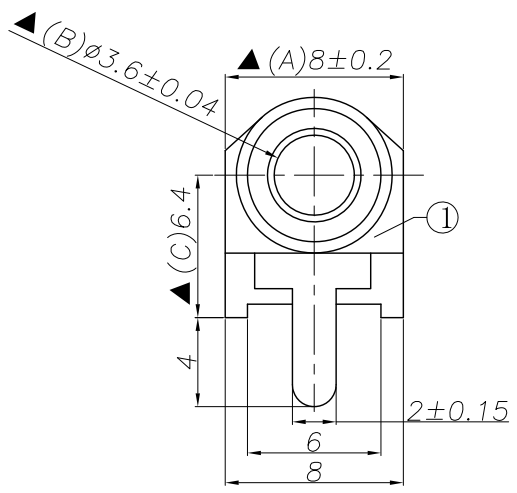


5	6	7
REV. LTR.	DESCRIPTION	SIGN
	Update drawing	jp.K
		DATE
		2011.8.26

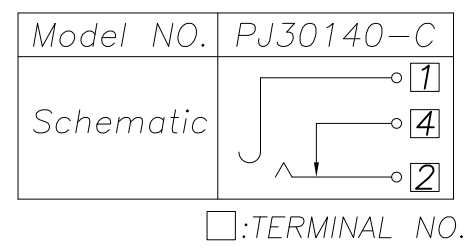


Ordering information:
PJ30140CPBOA S00 4
 (1) (2) (3) (4) (5) (6) (7)

(1):Series No.
 (2):Schematic option C
 (3):Material of housing
 PB=PBT (Only)
 (4):Housing color
 0A=Black
 (5):Terminal plating
 T=Tin(Sn)
 S=Silver(Ag) (Standard)
 (6):Special option
 00=No special option
 (7):Packing mode
 4=Bag packing

Specification:

- Rating : DC 30V 0.5A.
- Contact resistance: ≤30mΩ.
After test: ≤50mΩ.
- Insulation resistance: ≥100MΩ (500VDC).
After test: ≥50MΩ.
- Withstanding voltage: 500VAC.
- Insertion and extraction force: 3N~30N.
- Life test: 5000 cycles min.
- Operation temperature range: -20°C~70°C.
- Preservative temperature range: -40°C~85°C.
- Sign"▲"is importance dimension.



④	Shunt terminal	④	1	Brass t0.5	PJ3014A-04(JA-JK0059)	Silver/Ting plating
③	Tip spring	②	1	Phosphor bronze t0.25	PJ3014A-02(JA-JK0060)	Silver/Ting plating
②	Earth terminal	①	1	Phosphor bronze t0.5	PJ30140-01(JA-JK0047)	Silver/Ting plating
①	Housing		1	PBT	PJ30140-S1(ST-JK0028)	Black
NO.	DESCRIPTION	QTY	MATERIAL	PART NO.	REMARK	
UNIT:MM	TYPE:	MODEL NO:		PAPER NO: A4	PAGE 1 OF 1	
	ø2.5 PHONE JACK	PJ30140-CPBOAS004		TOLERANCE	ANGLES	SCALE VER
				±0.3	±2'	FULL 1
DESIGNER BY:	jp.K 2011.8.26					
CHECK BY:						
APPROVED BY:						

HDC有限公司