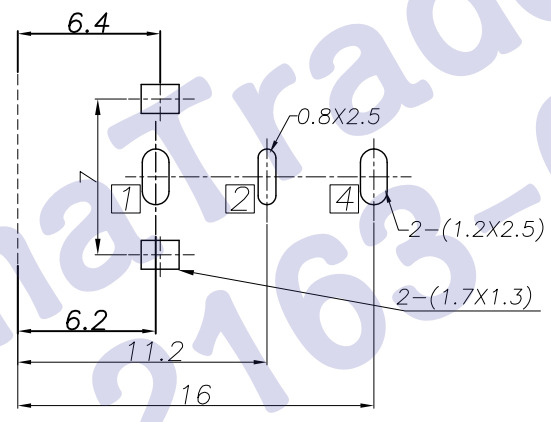
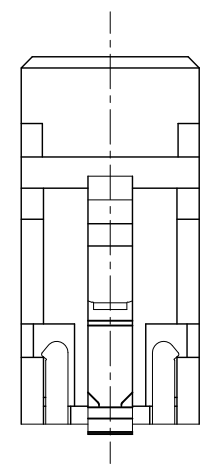
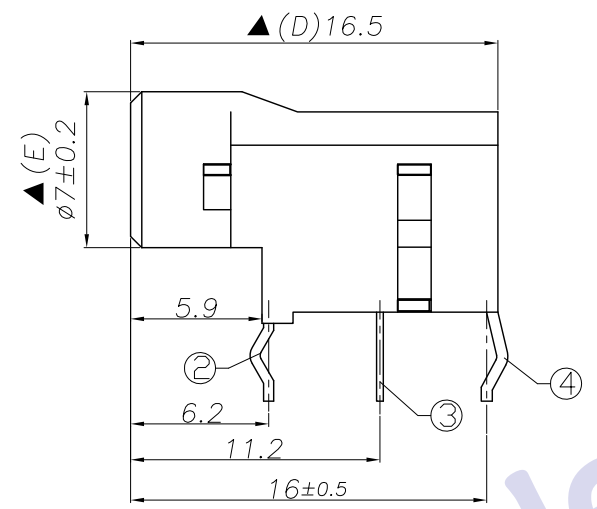
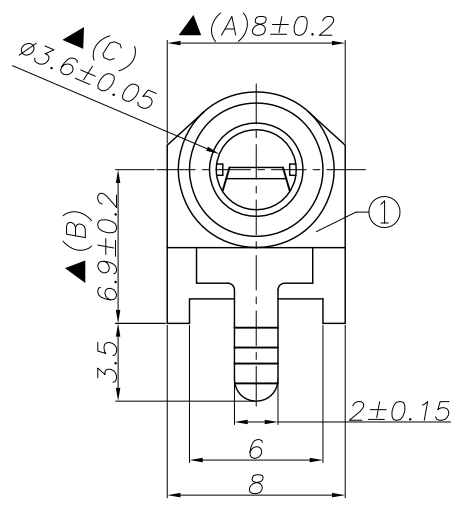


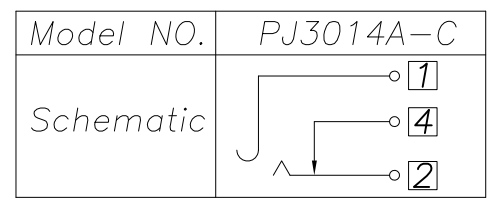
1	2	3	4	5	6	7
REV.	LTR.	DESCRIPTION		SIGN	DATE	



Ordering information:
 PJ3014A-C PB □□ S 00 4
 (1) (2)(3) (4) (5)(6)(7)

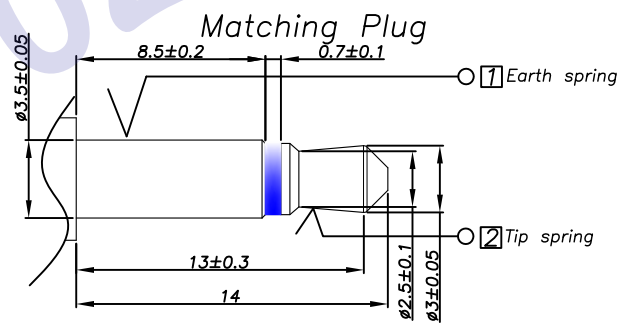
(1) Series No
 (2) Schematic option: C
 (3) Material of housing: PB=PBT
 (4) Housing color:
 Zero 0A=Black 2R=Red (0046)
 3H=Orange (0363) 4K=Yellow (0008)
 5B=Green (0009) 5F=Green (0045)
 5G=Green (577C/0446) 6A=Blue (284C/0443)
 9A=White (0100)

(5) Terminal plating:
 S=Silver(Ag)
 (6) Special option:
 00=No special option
 (7): Packing mode:
 4. Bag packing



□: TERMINAL NO.

Specification:
 1. Rating ?DC 30V 0.5A?
 2. Contact resistance?≤30mΩ?
 After test:≤50mΩ
 3. Insulation resistance??100MΩ (500VDC)?
 After test:≥50MΩ
 4. Withstand voltage?500VAC ?
 5. Insertion and extraction force?3N?
 6. life test?5000cycles min?
 7. Operation temperature range?-200?
 8. Preservative temperature range? -40?
 9. Sign"? "is importance dimension



④	Shunt terminal	④	1	Brass	PJ3014A-04(JA-JK0059)	Silver(Ag) plating
③	Tip spring	②	1	Phosphor bronze	PJ3014A-02(JA-JK0060)	Silver(Ag) plating
②	Earth spring	①	1	Phosphor bronze	PJ3014A-01(JA-JK0047)	Silver(Ag) plating
①	Housing		1	PBT	PJ3014A-S1(ST-JK0038)	
NO.	DESCRIPTION	QTY	MATERIAL	PART NO.	REMARK	
UNIT:MM	TYPE:	MODEL NO:		PAPER NO: A4	PAGE 1 OF 1	
	ø3.5 PHONE JACK	PJ3014A-CPB__		FOLENANCE	ANGLES	SCALE VER
				±0.3	±2'	FULL 03
DESIGNER BY:	PJ 2012.4.18					
CHECK BY:						
APPROVED BY:						

HDC有限公司