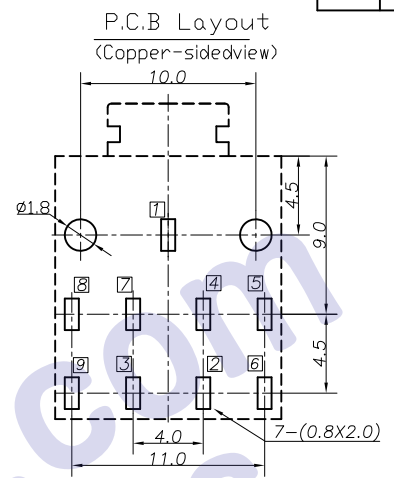
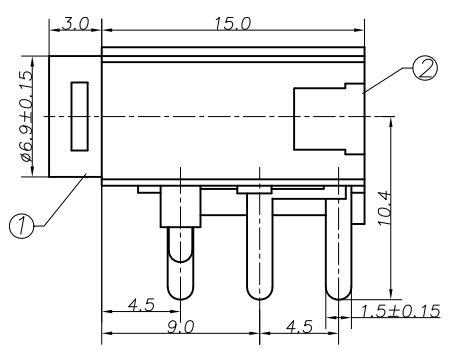
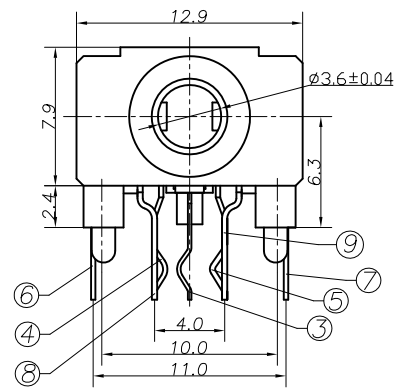
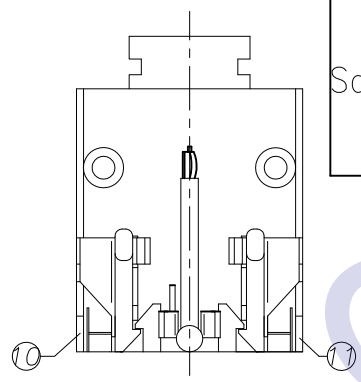


REV. LTR.	DESCRIPTION	SIGN	DATE



Model No.	PJ30150-A	PJ30150-B	PJ30150-D	PJ30150-F	PJ30150-G	PJ30150-T	PJ30150-K	PJ30150-W
Schematic								



Ordering information:  
 PJ30150- ? ?? ?? S ?? ?  
 ① ② ③ ④ ⑤ ⑥ ⑦

- ① :Series No.
- ② :Schematic option:  
A B D F G T K W
- ③ :Material of housing:  
PB=PBT (Standard)  
P6=PA66
- ④ :Housing color:  
0A=Black (Standard)  
2\_=Red  
3\_=Orange  
4\_=Yellow
- ⑤ :Terminal plating  
6=Silver (Ag) (Standard)  
T=Blue (SWHite)
- ⑥ :Special option

**SPECIFICATION**

- 1.Rating ? DC 30V 0.5A?
- 2.Contact resistance? ≤30mΩ?
- 3.Insulation resistance?? 100MΩ (DC250V)?
- 4.Withstand voltage? 500VAC ?
- 5.Insertion and extraction force? 3-30N;
- 6.life test? 5,000 cycles?

- ⑦ :Packing mode:  
3:Plastic box packing  
4:Bag packing

Cover
0B Black
0W White

NO.	DESCRIPTION	QTY	MATERIAL	RART NO.	PLATING
①	Make terminal	1	Bronze	PJ30150-06	Ag-Plating
⑩	Make terminal	1	Bronze	PJ30150-09	Ag-Plating
⑨	Break terminal	1	Bronze	PJ30150-04(WP-JK0009)	Ag-Plating
⑧	Break terminal	1	Bronze	PJ30150-07(WP-JK0008)	Ag-Plating
⑦	Transfer terminal	1	Brass	PJ30150-05(TP-JK0017)	Ag-Plating
⑥	Transfer terminal	1	Brass	PJ30150-08(TP-JK0016)	Ag-Plating
⑤	Tip spring	1	Bronze	PJ30150-02(JA-JK0037)	Ag-Plating
④	Ring spring	1	Bronze	PJ30150-03(JA-JK0038)	Ag-Plating
③	Earth terminal	1	Bronze	PJ30150-01(JA-JK0036)	Ag-Plating
②	Cover	1	POM	PJ30150-S2(GZ-JK0004)	
①	Housing	1	PBT	PJ30150-S1(ST-JK0021)	

UNIT:MM	TYPE:	MODEL NO:	PAPER NO:	PAGE 1 OF 1
	φ3.5PHONE JACK	PJ30150-_____S	TOLERANCE ANGLES	SCALE VER
			±0.3 ±2'	1:1 1

DESIGNER: Zhuhong 2008/7/10  
 BY: CHECK  
 BY: APPROVED  
 BY:

**HDC有限公司**