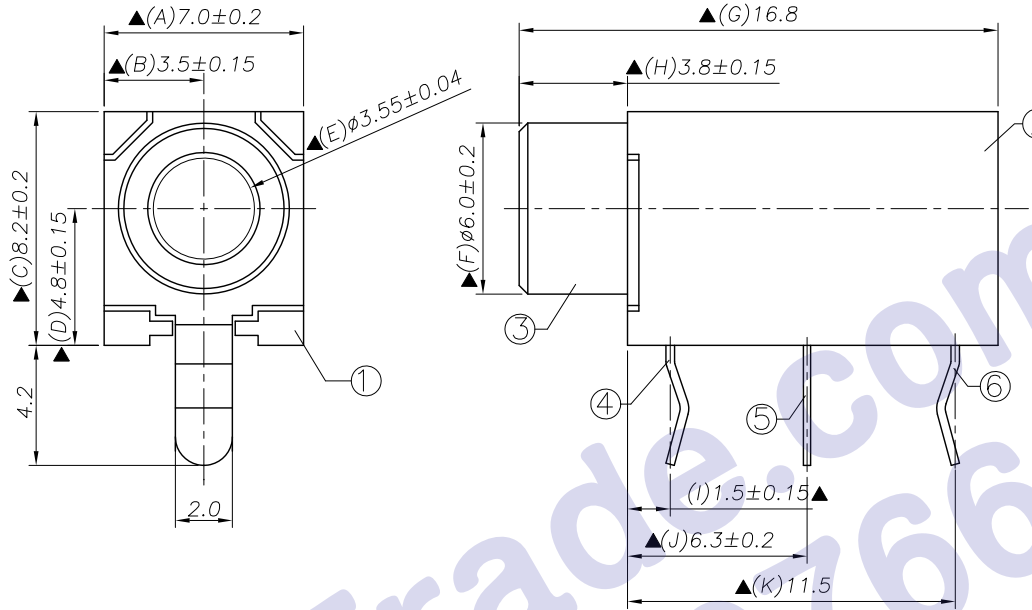


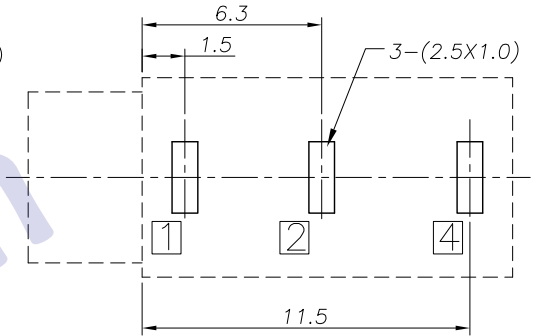
Ordering information:

PJ30160-C □□ 0A □ □□ 4
 (1) (2) (3) (4) (5) (6) (7)

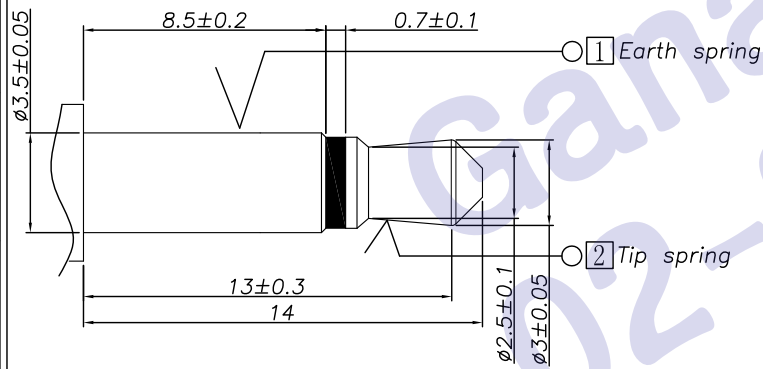
- (1):Series No
 (2):Schematic option: C
 (3):Material of housing:
 PB=PBT P6=PA66
 (4):Housing color:
 0A=Black (Standard) 2_=Red
 3_=Orange 4_=Yellow
 5_=Green 6_=Blue
 9_=White
 (5):Terminal plating
 T=Tin(Sn) (Standard)
 S=Silver(Ag)
 (6):Special option
 ON=Bushing is nickel plating
 OG=Bushing is gold plating
 (7):Packing mode:
 4=Bag packing



P. C. B Layout
 Copper-sided view

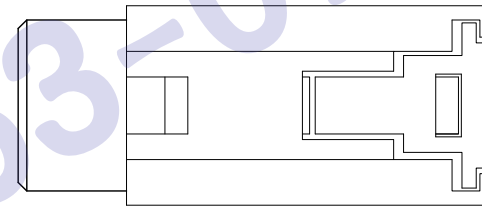


Matching Plug



SPECIFICATION

- 1.Rating ?DC 30V 0.5A?
- 2.Contact resistance?≤50mΩ?
- 3.Insulation resistance??100MΩ (DC250V)?
- 4.Withstand voltage?500VAC ?
- 5.Insertion and extraction force?3-30N?
- 6.life test?5000 cycles?
- 7.Sign"? "is importance dimension?



Model NO.	PJ30160-C
Schematic	

□: TERMINAL NO.

⑥	Shunt terminal ④	1	Brass	Ag/Tin plating
⑤	Tip spring ②	1	Stainless steel	Ag/Tin plating
④	Earth terminal ①	1	Brass	Ag/Tin plating
③	Bushing	1	Brass	Au/Nickel plating
②	Cover	1	PA66/PBT	
①	Housing	1	PA66/PBT	
NO.	DESCRIPTION	QTY	MATERIAL	REMARK

UNIT: MM	TYPE:	MODEL NO:	PAPER NO: A4	PAGE 1 OF 1
	φ3.5PHONE JACK	PJ30160-C_0A_ _ 4	TOLERANCE	ANGLES
			±0.3	±2'
			SCALE	VER
			FULL	2

DESIGNER BY: Zengyu 2009.08.11
 CHECK BY:
 APPROVED BY:

HDC有限公司