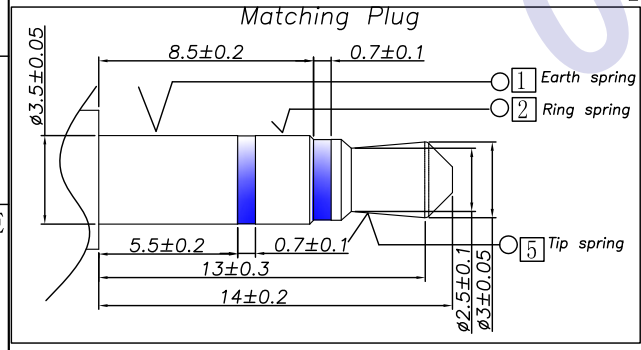
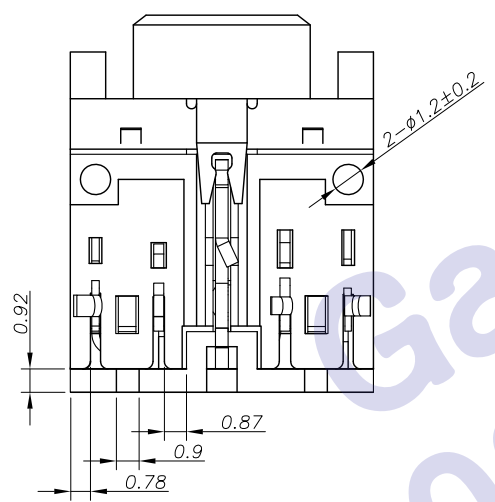
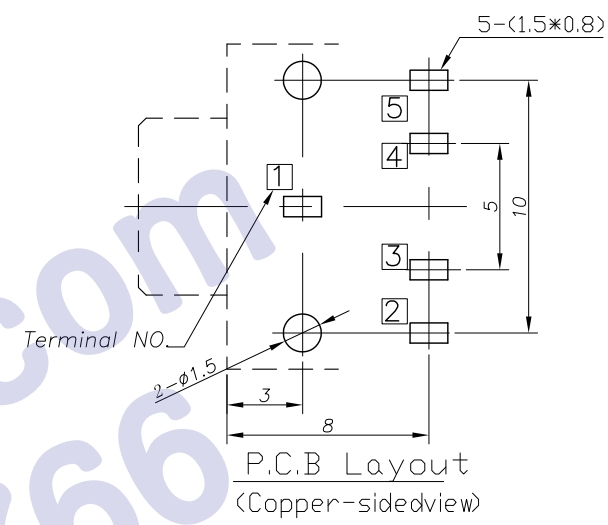
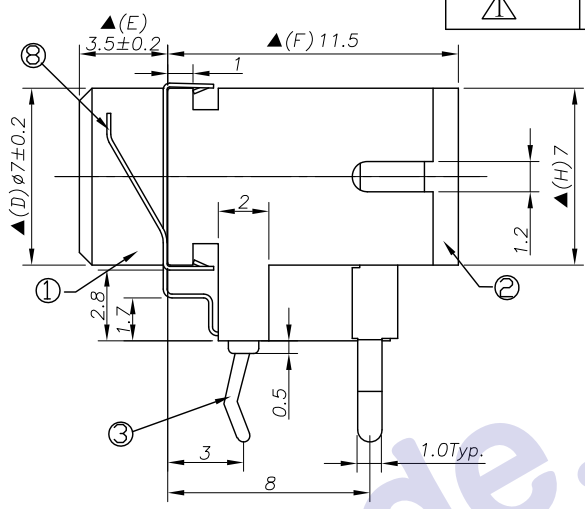
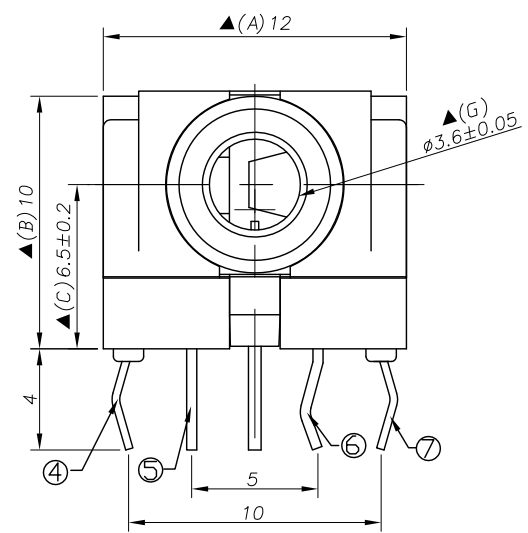


| | | | |
|-----------|---------------------------|-----------|----------|
| REV. LTR. | DESCRIPTION | SIGN | DATE |
| △ | Add the key sizes of sign | yang gang | 09.12.03 |



Specification:
 1. Rating ?DC 30V 0.5A?
 2. Contact resistance?≤30mΩ?
 After test:≤50mΩ
 3. Insulation resistance??100MΩ (500VDC)?
 After test:250MΩ
 4. Withstand voltage?500VAC ?
 5. Insertion and extraction force?3N?
 6. Life test?5000cycles min?
 7. Operation temperature range? -200?
 8. Preservative temperature range? -405?
 9. Sign"? "is importance dimension
Ordering information:
 PJ3017B - □ PB □□ T □□ 3
 (1) (2) (3) (4) (5) (6) (7)

(1): Series No.
 (2): Schematic option: A B C D
 (3): Material of housing: PB=PBT (Standard)
 (4): Housing color:
 0A=Black 2R=Red (0046)
 5F=Green (0455) 6B=Blue (0037)
 (5): Terminal plating
 T=Tin (Sn) plating (Standard)
 (6): Special option:
 00=Color of the cover is the same as the housing
 01=Cover is black, housing is other colors
 (7): Packing mode:
 3=Plastic box packing

| P/N | PJ3017B-A | PJ3017B-B | PJ3017B-C | PJ3017B-D |
|-----------|-----------|-----------|-----------|-----------|
| Schematic | | | | |

□: TERMINAL NO. ○: ITEM NO.

| NO. | DESCRIPTION | QTY | MATERIAL | REMARK |
|-----|----------------|-----|-----------------------|-----------------------------------|
| ⑧ | Earth spring | 1 | Stainless steel 0.15t | PJ3017B-E1 (TP-JK0041) |
| ⑦ | Tip spring | 5 | Phosphor bronze 0.30t | PJ30170-05 Ni:30u"Min;Sn:120u"Min |
| ⑥ | Shunt terminal | 4 | Brass 0.40t | PJ30170-04 Ni:30u"Min;Sn:120u"Min |
| ⑤ | Shunt terminal | 3 | Brass 0.40t | PJ30170-03 Ni:30u"Min;Sn:120u"Min |
| ④ | Ring spring | 2 | Phosphor bronze 0.25t | PJ30170-02 Ni:30u"Min;Sn:120u"Min |
| ③ | Earth terminal | 1 | Phosphor bronze 0.50t | PJ3017N-01 Ni:30u"Min;Sn:120u"Min |
| ② | Cover | 1 | PBT | PJ30170-S2 (GZ-JK0001) |
| ① | Housing | 1 | PBT | PJ30170-S1 (ST-JK0008) |

| UNIT:MM | TYPE: | MODEL NO: | PAPER NO: A4 | PAGE 1 OF 1 |
|--------------|----------------------|-----------------------|----------------|-------------|
| | ø3.5 PHONE JACK | PJ3017B- _ PB_ _T_ _3 | TOLERANCE ±0.3 | ANGLES ±2° |
| DESIGNER BY: | Yang Gang 2010.07.30 | | SCALE FULL | VER 3 |

CHECK BY:
 APPROVED BY:
HDC有限公司