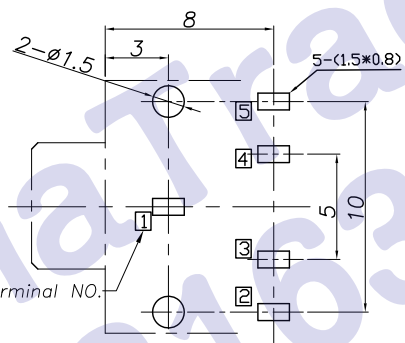
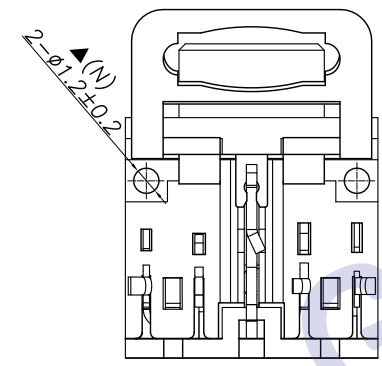
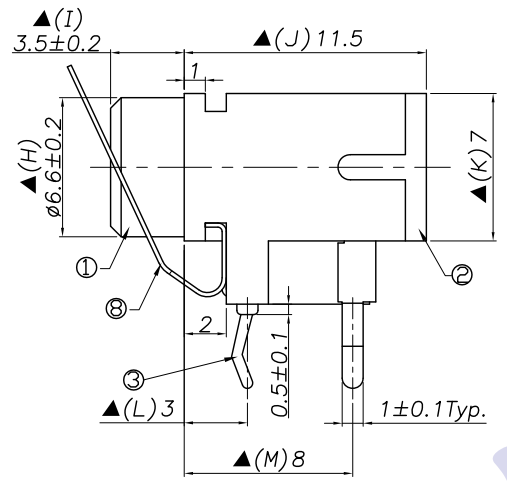
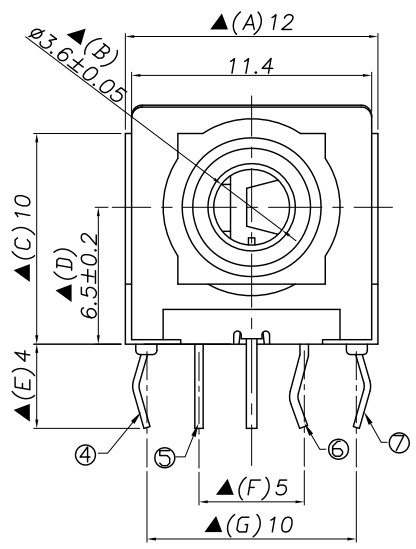


REV. LTR.	DESCRIPTION	SIGN	DATE
▲	Add the key sizes of sign	yang gang	09.12.03



RECOMMENDED P. C. B. LAYOUT
UNSPECIFIED TOLERANCE: ±0.05
(BOTTOM VIEW)

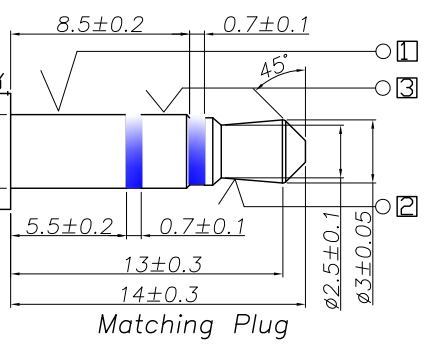
Ordering information:
 P/J3017G - □ PB □□ T □□ 3
 (1) (2) (3) (4) (5) (6) (7)

(1):Series No.
 (2):Schematic option:A B C D
 (3):Material of housing:PB=PBT(Standard)
 (4):Housing color:0A=Black 2R=Pink(0046) 2U=Red(0210)
 3A=Orange(0031) 4E=Yellow(0024) 5W=Green(0004)
 5F=Green(0455) 6A=Blue(0011) 6B=Blue(0037)
 (5):Terminal plating
 T=Tin(Sn) plating(Standard) S=Silver(Ag) plating
 (6):Special option:
 00=Color of the cover is the same as the housing
 01=Cover is black ,housing is other colors
 02=Without Earth Spring (Color of the cover is the same as the housing)
 03=Without Earth Spring (Cover is black ,housing is other colors)
 (7):Packing mode:
 3=Blastic box packing

P/N	PJ3017G-A	PJ3017G-B	PJ3017G-C	PJ3017G-D
Schematic				

□: TERMINAL NO.

Specification:
 1.Rating ?DC 30V 0.5A.
 2.Contact resistance?≤30m?
 After test:≤50m?
 3.Insulation resistance??100M? <500VDC?
 After test:?50M?
 4.Withstanding voltage?500VAC.
 5.Insertion and extraction force?30N-35N?
 6.life test?5000cycles min.
 7.Operation temperature range?0-20
 8.Preservative temperature range:-40
 9.Sign"? "is importance dimension.



⑧ Earth Spring	1	Stainless steel t0.2	PJ3017G-E1	
⑦ Tip spring	5	Phosphor bronze t0.3	PJ30170-05	Tin plating
⑥ Shunt terminal	4	Brass t0.4	PJ30170-04	Tin plating
⑤ Shunt terminal	3	Brass t0.4	PJ30170-03	Tin plating
④ Ring spring	2	Phosphor bronze t0.25	PJ30170-02	Tin plating
③ Earth terminal	1	Phosphor bronze t0.5	PJ30170-01	Tin plating
② Cover	1	PBT	PJ30170-S2	Black
① Housing	1	PBT	PJ3017G-S1	

NO	DESCRIPTION	QTY	MATERIAL	PART NO.	REMARK
	UNIT:MM	TYPE:	MODEL NO:	PAPER NO: A4	PAGE 1 OF 1
		φ3.5 PHONE JACK	PJ3017G- _ PB_ _T_	TOLERANCE: ±0.3	ANGLES: ±2°
	DESIGNER BY:	PD X	2011.07.04	SCALE: N/A	VER: 01
	CHECK BY:				
	APPROVED BY:				

HDC有限公司