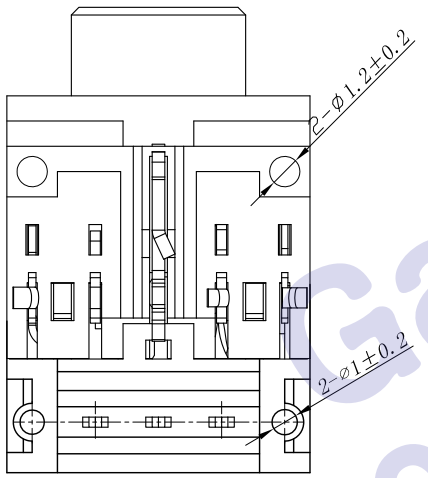
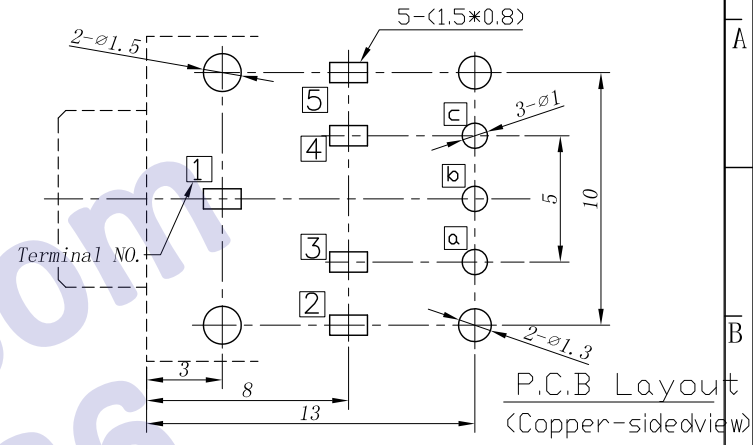
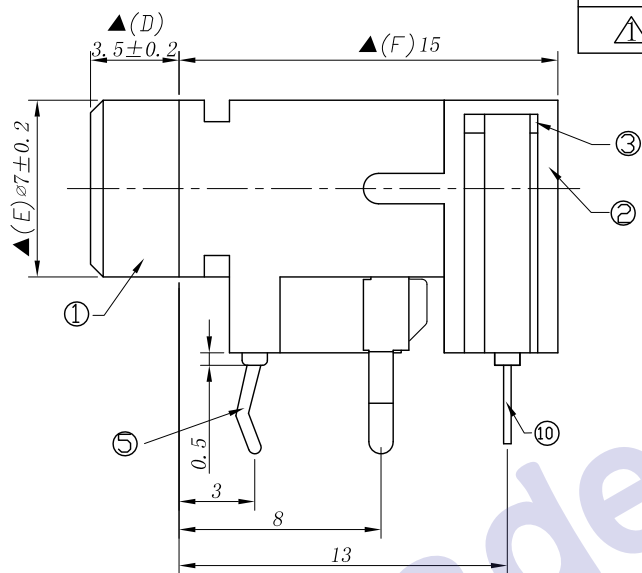
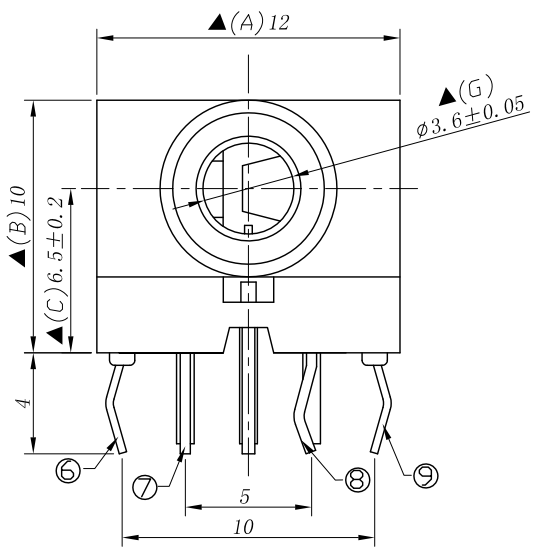


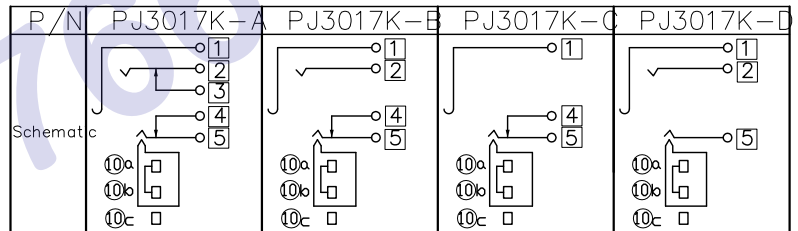
REV. LTR.	DESCRIPTION	SIGN	DATE
▲	Add the key sizes of sign	yang gang	09.10.23



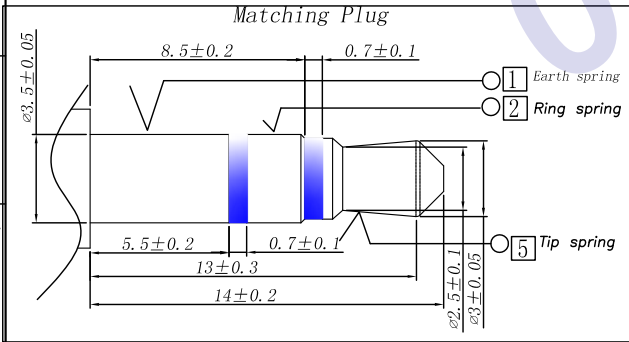
- Specification:**
- Rating : DC 30V 0.5A;
  - Contact resistance:  $\leq 50m\Omega$  ;  
After test:  $\leq 100m\Omega$
  - Insulation resistance:  $\geq 100M\Omega$  (500VDC);  
After test:  $\geq 50M\Omega$
  - Withstand voltage: 500VAC ;
  - Insertion and extraction force: 3N~30N;
  - life test: 5000cycles min;
  - Operation temperature range: -20℃ ~70℃
  - Preservative temperature range: -40℃ ~85℃
  - Sign "▲" is importance dimension

Ordering information:  
**PJ3017K -□ 66 0A T 00 3**  
 (1) (2) (3) (4) (5) (6) (7)

- (1):Series No.  
 (2):Schematic option: A B C D  
 (3):Material of housing:  
 66=PA66 (Standard)  
 (4):Housing color:  
 Zero 0A=Black  
 (5):Terminal plating  
 T=1~4# Terminal are Tin plating But 5#and  
 switch Terminal are Silver plating (Standard)  
 S=All Terminal are Silver plating  
 (6):Special option:  
 00=No special option  
 (7):Packing mode:  
 3=Plastic box packing



□ : TERMINAL NO. ○ : ITEM NO.



⑫	Spring	1	Spring wire	PJ3017A-66 (TH-1K0003)	
⑪	Clip	1	Alloy T=0.05	PJ3017A-55 (DP-1K0003)	
⑩	Switch terminal	3	Brass T=0.35	PJ3017A-06	Silver(Ag) plating
⑨	Tip spring	⑤	1 Stainless Steel T=0.25	PJ3017A-05	Silver(Ag) plating
⑧	Shunt terminal	④	1 Brass T=0.40	PJ30170-04	Tin(Sn) plating
⑦	Shunt terminal	③	1 Brass T=0.40	PJ30170-03	Tin(Sn) plating
⑥	Ring spring	②	1 Phosphor bronze T=0.25	PJ30170-02	Tin(Sn) plating
⑤	Earth terminal	①	1 Phosphor bronze T=0.50	PJ30170-01	Tin(Sn) plating
④	Slide housing	1	PA66+15%GF	PJ3006C-S4 (JK-920)	Black
③	Switch cover	1	PA66+15%GF	PJ3006C-S2 (GZ-918)	Black
②	Switch Housing	1	PBT	PJ3017K-S3 (KT-941)	Black
①	Housing	1	PA66+15%GF	PJ30170-S1	

NO.	DESCRIPTION	QTY	MATERIAL	PART NO.	REMARK	
UNIT:MM	TYPE:	MODEL NO:		PAPER NO: A4	PAGE 1 OF 1	
	φ3.5 PHONE JACK	PJ3017K- 660AT003	TOLERANCE	ANGLES	SCALE	VER
			±0.3	±2°	FULL	2

DESIGNER BY: YANG GANG  
 CHECK BY: 2009.10.23  
 APPROVED BY:

**HDC有限公司**