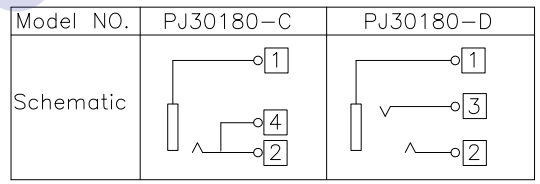
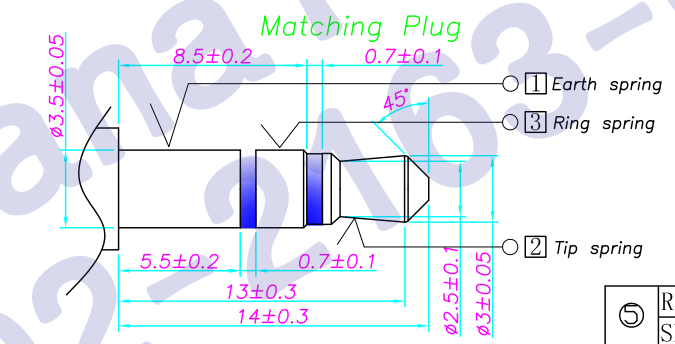


RECOMMENDED P. C. B. LAYOUT  
UNSPECIFIED TOLERANCE: ±0.05  
(COPPER-SIDED VIEW)



□: TERMINAL NO. ○: ITEM NO.

REV. LTR.	DESCRIPTION	SIGN	DATE
-----------	-------------	------	------

Ordering information:  
PJ30180 ?? 0AS004  
(1) (2) (3) (4)(5)(6)(7)  
(1):Series No  
(2):Schematic option: C D  
(3):Material of housing:66=PA66 PB=PBT  
(4):Housing color:0A=Black  
(5):Terminal plating:S=Silver(Ag)  
(6):Special option:  
00=No special option  
(7):Packing mode:  
4=Bag packing

Specification:  
1.Rating ?DC 30V 0.5A?  
2.Contact resistance?≤30m??  
After test:≤50m?  
3.Insulation resistance??100M? (500VDC)?  
After test:50M?  
4.Withstanding voltage?500VAC ?  
5.Insertion and extraction force?3N  
6.life test?5000cycles min?  
7.Operation temperature range? -20  
8.Preservative temperature range: -40  
9.Sign"? "is importance dimension

⑤	Ring spring	③	1	Phosphor bronze t0.3	Silver plating
	Shunt terminal	④	1	Brass t0.3	Silver plating
④	Tip spring	②	1	Phosphor bronze t0.3	Silver plating
③	Earth spring	①	1	Brass t0.3	Silver plating
②	Bushing		1	Brass	Nickel plating
①	Housing		1	PA66/PBT	Black
NO.	DESCRIPTION	QTY	MATERIAL	REMARK	

UNIT:MM	TYPE:	MODEL NO:	PAPER NO: A4	PAGE 1 OF 1
	ø3.5PHONE JACK	PJ30180-_-_-0AS004	TOLERANCE ±0.3	ANGLES ±2°
DESIGNER BY:	PD X	2011.04.20	SCALE FULL	VER 2

DESIGNER BY: PD X 2011.04.20  
CHECK BY:  
APPROVED BY:  
**HDC有限公司**