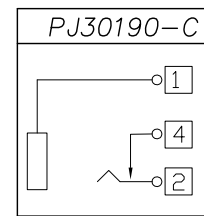
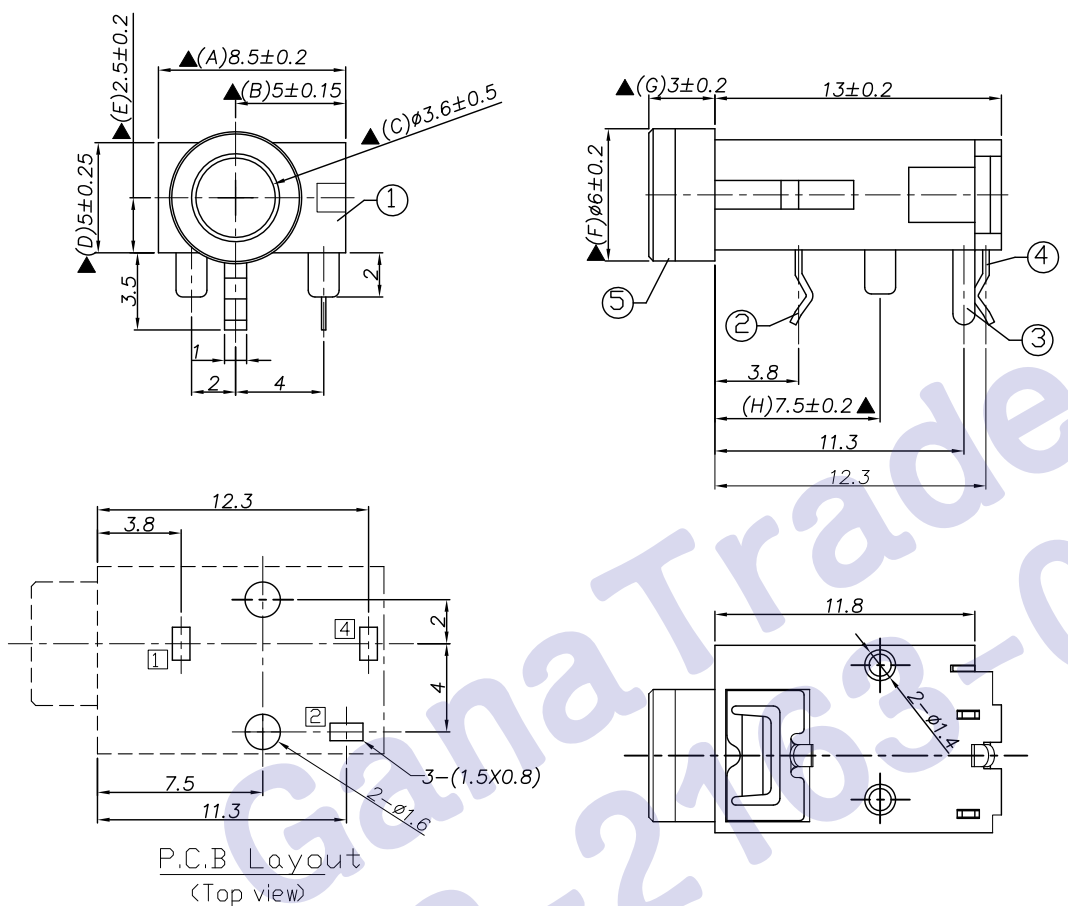


Ordering information:

PJ30190-C 0A T 00

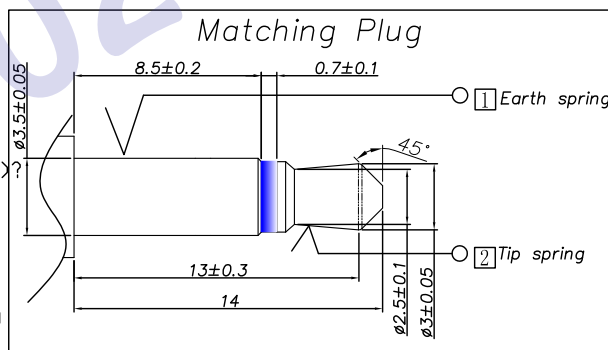
(1) (2) (3) (4) (5) (6) (7)

- (1): Series No
- (2): Schematic option: C
- (3): Material of housing:
PB=PBT 66=PA66
- (4): Housing color:
0A=Black (default)
- (5): Terminal plating
T=Tin(Sn)(default)
S=Silver(Ag)
- (6): Special option
00:No special option,
- (7): Packing mode:
3:Plastic box packing
4:Bag packing



: TERMINAL NO.

- Specification:
1. Rating ?DC 30V 0.5A?
 2. Contact resistance?≤30m??
After test:≤50m?
 3. Insulation resistance??100M? (<500VDC)?
After test:750M?
 4. Withstand voltage?500VAC ?
 5. Insertion and extraction force??3N
 6. life test?5000cycles min?
 7. Operation temperature range??-20
 8. Preservative temperature range??-40
 9. Sign"? "is importance dimension?



⑤ Bushing	1	Brass	Nickel plating	
④ Shunt terminal	4	Phosphor bronze	Tin plating	
③ Tip Spring	2	Phosphor bronze	Tin plating	
② Earthing	1	Phosphor bronze	Tin plating	
① Terminal	1	PBT/PA66		
NO.	DESCRIPTION	QTY	MATERIAL	REMARK
UNIT:MM	TYPE:	MODEL NO:	PAPER NO: A4	PAGE 1 OF 1
	∅3.5PHONE JACK	PJ30190-C_0AT00_	TOLERANCE	ANGLES
DESIGNER BY:	Matt 2012.02.25		±0.3	±2°
CHECK BY:	Mei 2012.02.25		SCALE	VER
APPROVED BY:	Ocean 2012.02.25		FULL	03

HDC有限公司