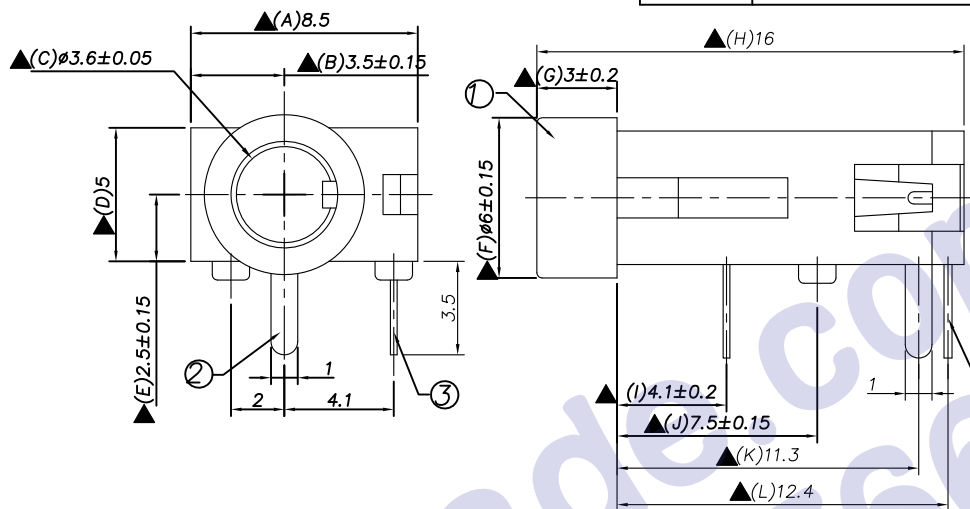


Ordering information:

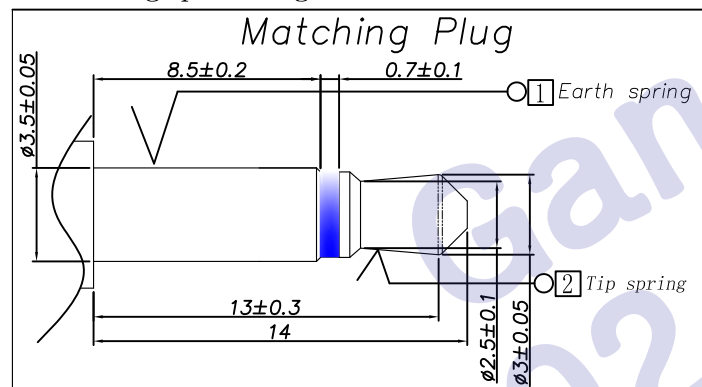
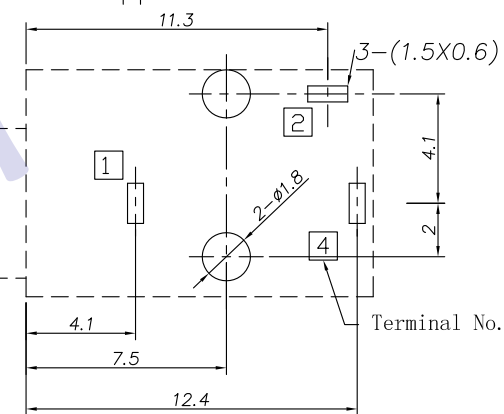
PJ3019A-□ PB □□ S 00 4

(1) (2) (3) (4) (5) (6) (7)

- (1): Series No
- (2): Schematic option: C E
- (3): Material of housing:
PB=PBT
- (4): Housing color:
0A=Black (Standard)
4N=Yellow(0080)
- (5): Terminal plating
S=Silver (Ag) (Standard)
- (6): Special option
00=No special option,
- (7): Packing mode:
4=Bag packing

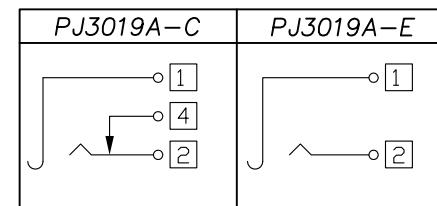
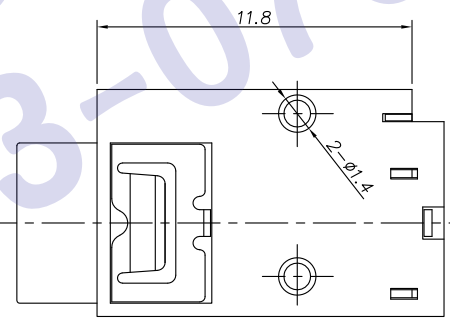


P.C.B Layout
(Copper-sided view)



Specification:

- 1. Rating ?DC 30V 0.5A?
- 2. Contact resistance? ≤30m??
After life test: ≤50m?
- 3. Insulation resistance??100M? (500VDC)?
After life test: ?50M?
- 4. Withstand voltage? 500VAC ?
- 5. Insertion and extraction force? 3N
- 6. Life test? 5000 cycles min?
- 7. Operation temperature range? -20
- 8. Preservative temperature range? -40
- 9. Sign"? "is importance dimension



④	Shunt terminal ④	1	Brass	PJ3019A-04(WP-561)	Silver plating
③	Tip spring ②	1	Phosphon bronze	PJ3019A-02(TP-562)	Silver plating
②	Earthing spring ①	1	Phosphon bronze	PJ3019A-01(JA-563)	Silver plating
①	Housing	1	PBT	PJ3019A-S1(ST-560)	

ITEM	DESCRIPTION	QTY	MATERIAL	PART NO.	REMARK
UNIT:MM	TYPE:	MODEL NO:	PAPER NO: A4 PAGE 1 OF 1		
	∅3.5 PHONE JACK	PJ3019A-_PB_S004	TOLERANCE	ANGLES	SCALE VER
			±0.3	±2°	FULL 3

DESIGNER BY: Zengyu 2010.04.26
CHECK BY:
APPROVED BY:

HDC有限公司