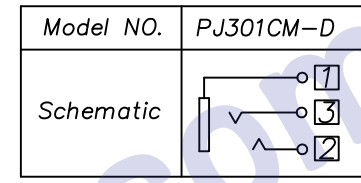
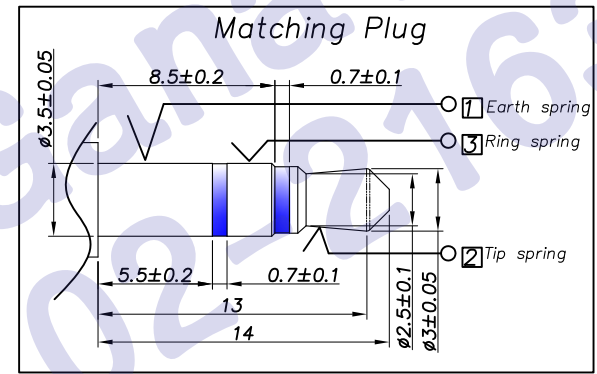
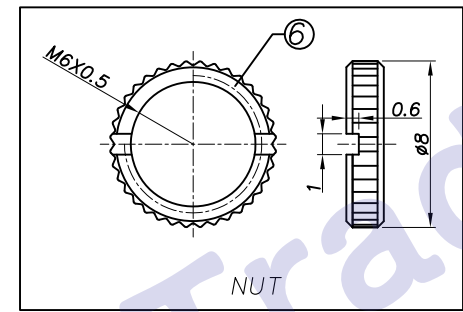
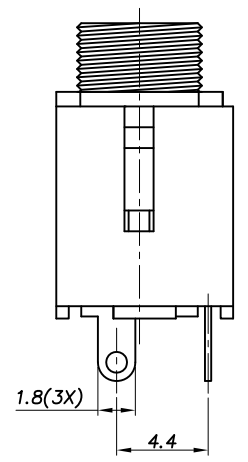
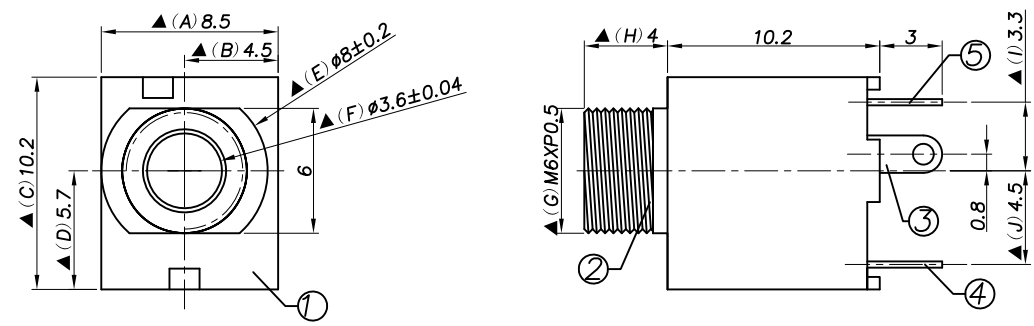
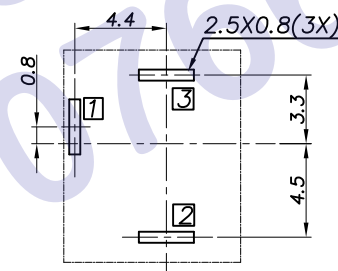


REV. LTR.	DESCRIPTION	SIGN	DATE
	Update drawing	Ansy	2011.0 8.15.
	Update drawing	HGN	201 3.05.16.



□: TERMINAL NO.



RECOMMENDED P.C.B. LAYOUT
UNSPECIFIED TOLERANCE:±0.05
(BOTTOM VIEW)

Ordering information:
PJ301CM- D 66 0A T □ □ 4
 (1) (2) (3) (4) (5) (6) (7)
 (1):Series No.
 (2):Schematic option: D
 (3):Material of housing:
 66=PA66
 (4):Housing color:
 0A=Black
 (5):Terminal plating:
 T=Tin (Sn)
 (6):Special option:
 ON: Bushing is Nickel plating
 OG: Bushing is Gold plating
 OC: Bushing is Cu&Tin Plating
 (7):Packing mode:
 4=Bag packing

Specification:
 1.Rating ?DC 30V 0.5A?
 2.Contact resistance?≤50m??
 After test:≤100m?
 3.Insulation resistance??100M? (500VDC)?
 After test:50M?
 4.Withstanding voltage?500VAC ?
 5.Insertion and extraction force?3N?30N?
 6.life test?5000cycles min?
 7.□operation temperature range?20
 8.Preservative temperature range?0-40
 9.Sign"? "is importance dimension

NO.	DESCRIPTION	QTY	MATERIAL	PLATING
⑥	Nut	1	Brass	Nickel plating
⑤	Ring Spring	3	Stainless Steel t0.3	Tin plating
④	Tip Spring	2	Brass t0.3	Tin plating
③	Earth Spring	1	Phosphor bronze t0.3	Tin plating
②	Bushing	1	Copper alloy	Nickel/gold/copper&tin plating
①	Housing	1	PA66	Black

UNIT:MM	TYPE:	MODEL NO:	PAPER NO: A4	PAGE 1 OF 1
	ø3.5 PHONE JACK	PJ301CM-D660AT_ _4	TOLERANCE	ANGLES
			±0.3	±2°
			SCALE	VER
			N/A	2

DESIGNER BY:	Andy	2011.0 8.16.
CHECK BY:	Matt	201 3.05.16.
APPROVED BY:	Ocean	201 3.05.16.

HDC有限公司