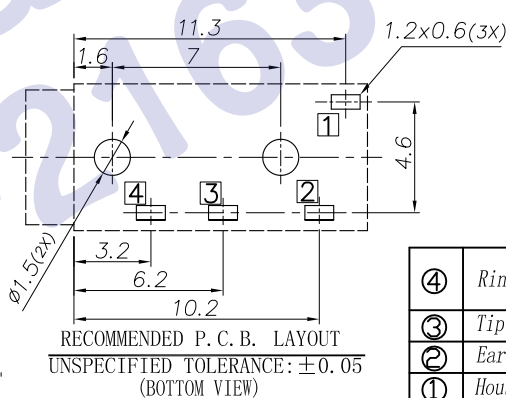
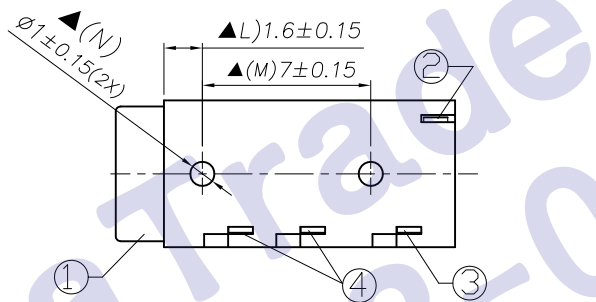
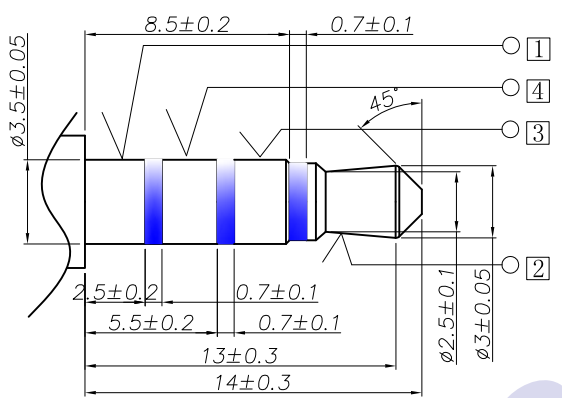
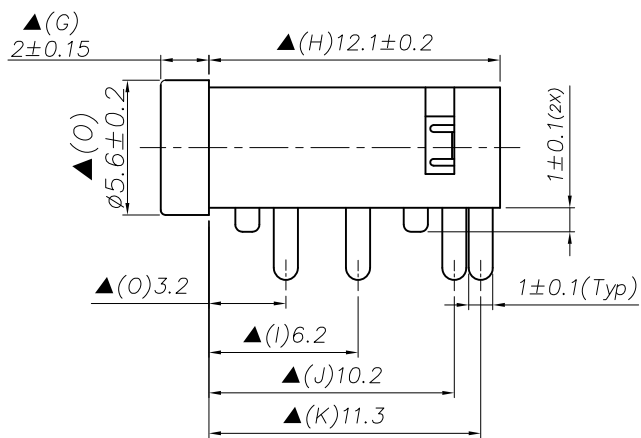
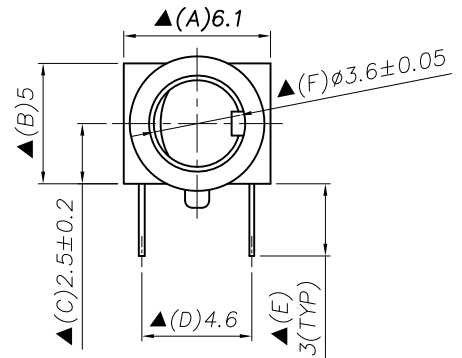


REV. LTR.	DESCRIPTION	SIGN	DATE
	Update drawing	PD X	2011.05.20

Ordering information:
 PJ3020A ?? 0A? ?? ?
 (1) (2) (3) (4) (5) (6) (7)
 (1):Series No
 (2):Schematic option:M D
 (3):Material of housing:
 PB=PBT 9T=PA9T
 (4):Housing color:0A=Black
 (5):Terminal plating:
 S=Silver(Ag) G=Gold(Au)
 (6):Special option:
 00=No special optio
 0H=Halogen Free materia
 (7):Packing mode:
 3=Plastic box packing
 4=Bag packing



Model NO.	PJ3020A-M	PJ3020A-D
Schematic		

□: TERMINAL NO.

- Specification:
- Rating ?DC 30V 0.5A.
 - Contact resistance?≤50m?.
After test:≤100m?
 - Insulation resistance??100M? (500VDC).
After test:~50M?
 - Withstanding voltage?500VAC.
 - Insertion and extraction force?3N
 - life test?5000cycles min.
 - Operation temperature range? -20
 - Preservative temperature range? -40
 - Sign"? "is importance dimension.

④	Ring spring ③ ④	2	Phosphor bronze t0.25	PJ3020A-03Y (JA-549)?? ??	Silver/gold plating
③	Tip spring ②	1	Phosphor bronze t0.25	PJ3020A-02 (JA-1319)	Silver/gold plating
②	Earth spring ①	1	Stainless steel t0.20	PJ3020A-01 (TP-548)	Silver/gold plating
①	Housing	1	PBT/PA9T	PJ3020A-S1 (ST-547)	Black
NO.	DESCRIPTION	QTY	MATERIAL	PART NO.	REMARK
UNIT:MM	TYPE:	MODEL NO:	PAPER NO: A4 PAGE 1 OF 1		
	ø3.5 PHONE JACK	PJ3020A-- --_0A_	TOLERANCE	ANGLES	SCALE
			±0.3	±2°	FULL
DESIGNER BY:	PD X	2011.05.20	HDC有限公司		
CHECK BY:					
APPROVED BY:					