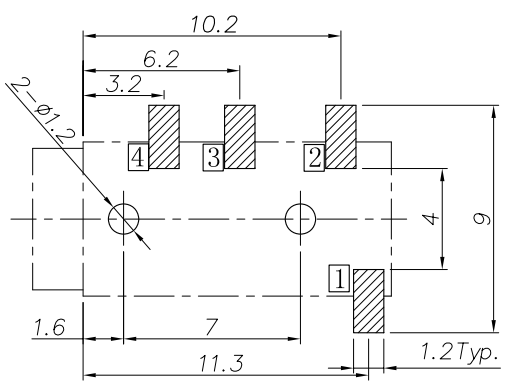
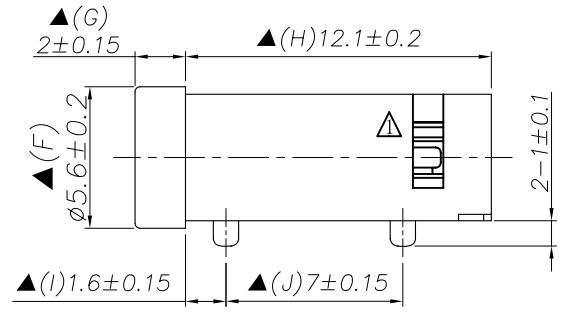
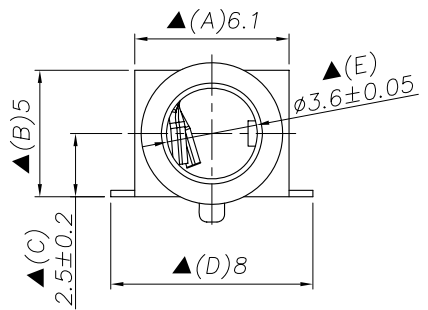
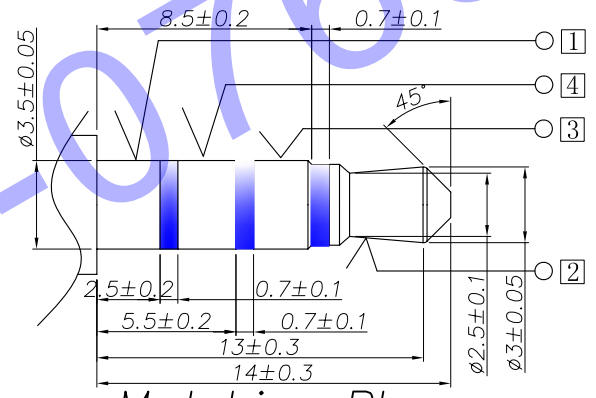
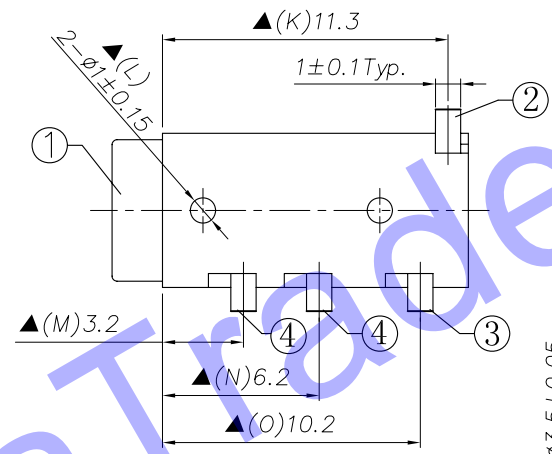


REV. LTR.	DESCRIPTION	SIGN	DATE
▲	Update drawing	LiZan	2015.12.28



RECOMMENDED P. C. B. LAYOUT
UNSPECIFIED TOLERANCE: ±0.05
(TOP VIEW)



Matching Plug

Ordering information:
 PJ3020D-□ 9T 0A □ 00 1
 (1) (2) (3) (4) (5) (6) (7)
 (1):Series No
 (2):Schematic option:M D
 (3):Material of housing:9T=PA9T
 (4):Housing color:
 0A=Black
 (5):Terminal plating:
 S=Silver(Ag) G=Gold(Au)
 (6):Special option:
 00=No special option
 (7):Packing mode:
 1=Reel packing

Model No.	PJ3020D-M	PJ3020D-D
Schematic		

- Specification:
- Rating : DC 30V 0.5A.
 - Contact resistance: ≤100mΩ.
After test: ≤200mΩ
 - Insulation resistance: ≥100MΩ (500VDC).
After test: ≥50MΩ
 - Withstanding voltage: 500VAC.
 - Insertion and extraction force: 3N~30N.
 - life test: 5000cycles min.
 - Operation temperature range:-20℃~70℃.
 - Preservative temperature range:-40℃~85℃.
 - Sign"▲" is importance dimension.

④	Ring spring	③&④	2	Phosphor bronze t0.25	PJ3020A-03	Silver/gold plating
③	Tip spring	②	1	Phosphor bronze t0.25	PJ3020A-02	Silver/gold plating
②	Earth spring	①	1	Stainless steel t0.2	PJ3020A-01	Silver/gold plating
①	Housing		1	PA9T	PJ3020A-S1	Black

NO.	DESCRIPTION	QTY	MATERIAL	PART NO.	REMARK
UNIT:MM	TYPE:	MODEL NO:		PAPER NO: A4	PAGE 1 OF 1
	φ3.5 PHONE JACK	PJ3020D-_9T0A_001		TOLERANCE	ANGLES
				±0.3	±2'
				SCALE	VER
				N/A	01

DESIGNER BY: LiZan 2015.12.28
 CHECK BY:
 APPROVED BY:
 H D C 有限公司