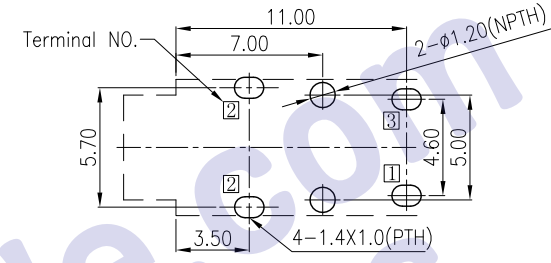
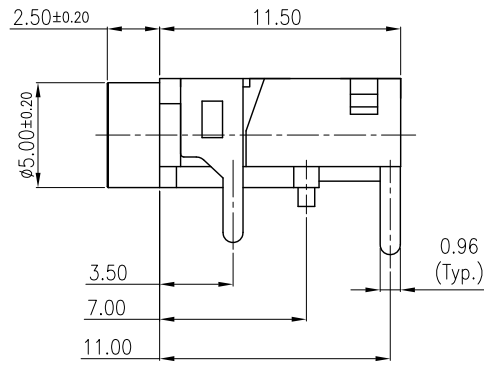
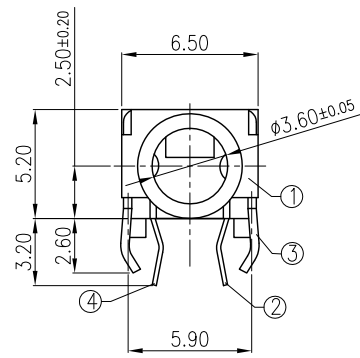


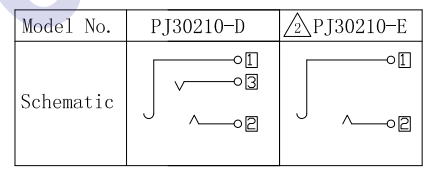
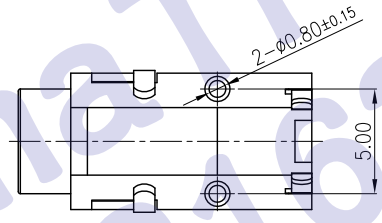
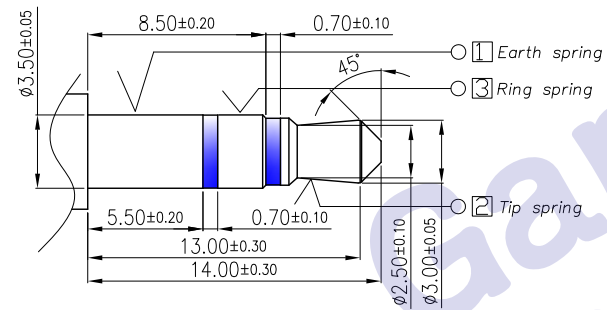
REV.	Q'TY	ECN. NO.	REASON&CONTENTS	SIGN	DATE
1	1		Add packing mode:plastic box.	Bull.pan	2011.12.06
2			Add Schematic "E"	Matt	2013.4.1



RECOMMENDED P.C.B. LAYOUT  
UNSPECIFIED TOLERANCE:±0.05  
(TOP VIEW)

Ordering information:  
PJ30210-? ?? 0A? 00?  
(1) (2) (3) (4)(5)(6)(7)  
(1):Series No.  
(2):Schematic option:  
D E  
(3):Material of housing:  
PB=PBT 9T=PA9T  
(4):Housing color:  
Zero 0A=Black 5U=Green(0306=PBT)  
(5):Terminal plating:  
S=Silver(Ag)  
G=Gold(Au)  
(6):Special option:  
00=No special option  
(7):Packing mode:  
3=Plastic box packing  
4=Bag packing

Matching Plug



Circuit Diagram □ :Terminal No.

- Specification:
- Rating : DC 30V 0.5A;
  - Contact resistance: ≤30mΩ;  
After test: ≤50mΩ
  - Insulation resistance: ≥100MΩ (500VDC);  
After test: ≥50MΩ
  - Withstand voltage: 500VAC ;
  - Insertion and extraction force: 3N~30N;
  - life test: 5000cycles min;
  - Operation temperature range: -20℃~70℃;
  - Preservation temperature range: -40℃~85℃.

NO.	DESCRIPTION	Q'TY	MATERIAL	PART NO.	REMARK
④	Ring spring	③	1	Copper Alloy	PJ30210-03 Silver/Gold plating
③	Tip spring	②	1	Copper Alloy	PJ30210-02 Silver/Gold plating
②	Earth spring	①	1	Copper Alloy	PJ30210-01 Silver/Gold plating
①	Housing		1	See P/O info	PJ30210-S1 Black

THIS DOCUMENT IS THE SOLE PROPERTY OF Bsum ELECTRONICS CO., LTD. AND SHOULD NOT BE USED IN WHOLE OR IN PART WITHOUT PRIOR WRITTEN PERMISSION.	UNIT:MM	TOLERANCE	TYPE:	MODEL NO:	DRAWING TYPE:	
		DIMENSIONS	ANGLES	PJ30210-__ _0A_00_	CUSTOMER DRAWING	
		X ±0.50	X ±5°	φ3.5 PHONE JACK	DRAWING No:	SCALE: VER.: PAGE:
		XX ±0.30	.X ±3°		BSCR-0000-0070	N/A 04 1/1
	XXX±0.15	.XX ±2°	DESIGNER BY: Bull.pan 2011.12.06	<b>HDC有限公司</b>		
		CHECK BY: Ocean 2011.12.06				
		APPROVED BY: Jiguoguang 2011.12.06				