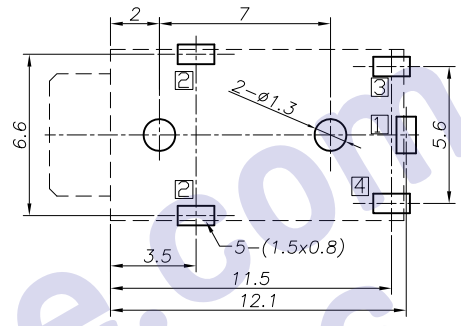
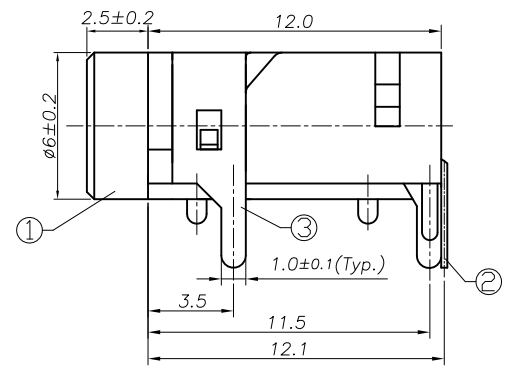
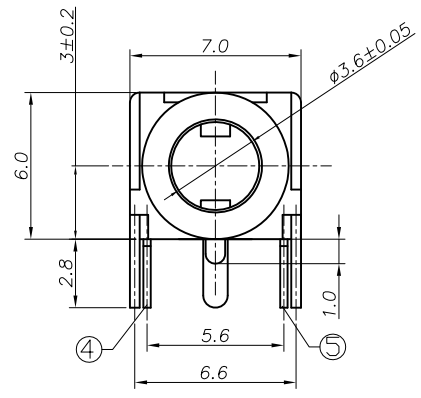
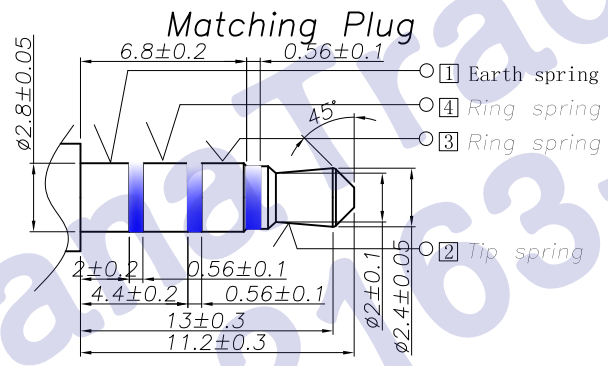
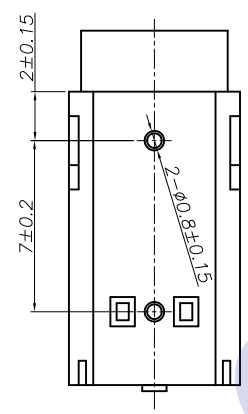


| REV. | QTY | ECN. NO. | REASON&CONTENTS | SIGN | DATE |
|------|-----|----------|------------------------|----------|------------|
| △ | X1 | | Modify circuit diagram | Bull.pan | 2011.10.14 |
| △ | X1 | | Update drawing | Bull.pan | 2011.11.04 |



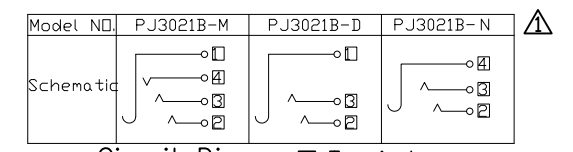
RECOMMENDED P.C.B. LAYOUT
UNSPECIFIED TOLERANCE: ±0.05
(TOP VIEW)

Ordering information:
PJ3021B- □ **66** **0A** **S** **00** **4**
 (1) (2) (3) (4) (5) (6) (7)
 (1):Series No.
 (2):Schematic option: M, D, N
 (3):Material of housing:
 66=PA66 (Standard)
 (4):Housing color:
 0A=Black (Standard)
 (5):Terminal plating
 S=Silver(Ag) (Standard)
 (6):Special option:
 00=No special option
 (7):Packing mode:
 4=Bag packing



Matching Plug

- 1 Earth spring
- 4 Ring spring
- 3 Ring spring
- 2 Tip spring



Circuit Diagram □: Terminal No.

- Specification:
- Rating : DC 30V 0.5A.
 - Contact resistance: ≤30mΩ.
After life test: ≤50mΩ.
 - Insulation resistance: ≥100MΩ (500VDC).
After life test: ≥50MΩ.
 - Withstand voltage: 500VAC.
 - Insertion and extraction force: 3N~30N.
 - life test: 5000cycles min.
 - Operation temperature range:-20℃~70℃.
 - Preservative temperature range:-40℃~85℃.

| 5 | Ring spring | 4 | 1 | Copper alloy | PJ3021B-04 | Silver plating |
|-----|--------------|-----|----------|-----------------|------------|----------------|
| 4 | Ring spring | 3 | 1 | Copper alloy | PJ3021B-03 | Silver plating |
| 3 | Tip spring | 2 | 1 | Copper alloy | PJ3021B-02 | Silver plating |
| 2 | Earth spring | 1 | 1 | Copper alloy | PJ30220-01 | Silver plating |
| 1 | Housing | | 1 | Thermoplastic △ | PJ3021B-S1 | Black |
| NO. | DESCRIPTION | QTY | MATERIAL | PART NO. | REMARK | |

| | | | | | | | | |
|---|-----------------------|------------|----------|-------------------|------------------|-------|------|------|
| THIS DOCUMENT IS THE SOLE PROPERTY OF Bsun ELECTRONICS CO., LTD. AND SHOULD NOT BE USED IN WHOLE OR IN PART WITHOUT PRIOR WRITTEN PERMISSION. | UNIT:MM | TOLERANCE | TYPE: | MODEL NO: | DRAWING TYPE: | | | |
| | | DIMENSIONS | ANGLES | PJ3021B-_660AS004 | CUSTOMER DRAWING | | | |
| | | X ±0.50 | X ±5.0° | ø3.5 PHONE JACK | DRAWING No: | SCALE | VER. | PAGE |
| | | XX ±0.30 | .X ±3.0° | | BSCR-0000-0035 | N/A | 04 | 1/1 |
| | XXX±0.15 | .XX ±2.0° | | | | | | |
| DESIGNER BY: | Bull.pan 2011.11.04 | | | HDC有限公司 | | | | |
| CHECK BY: | Ocean 2011.11.04 | | | | | | | |
| APPROVED BY: | Jiguoguang 2011.11.04 | | | | | | | |