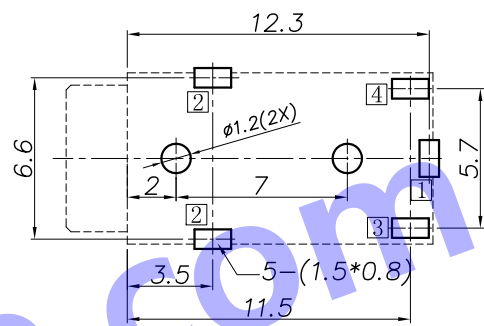
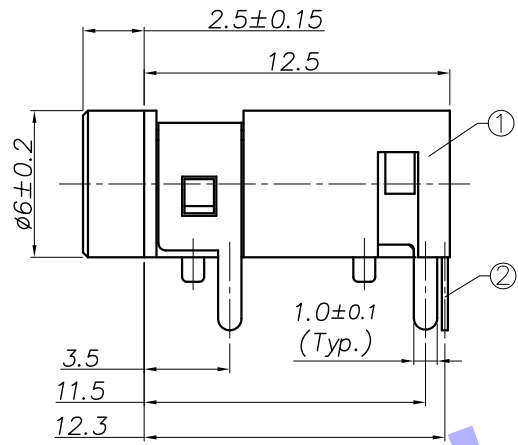
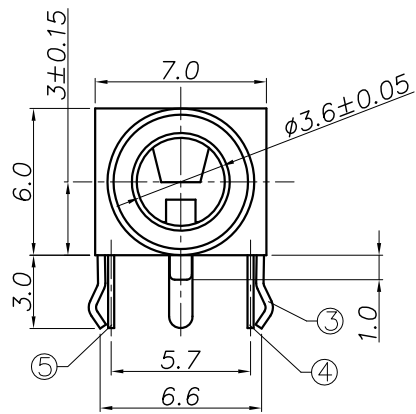


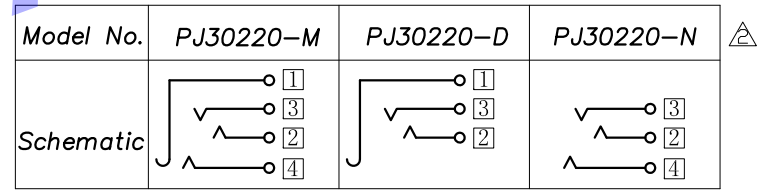
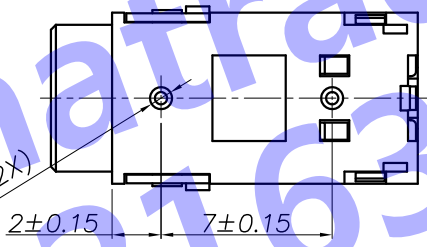
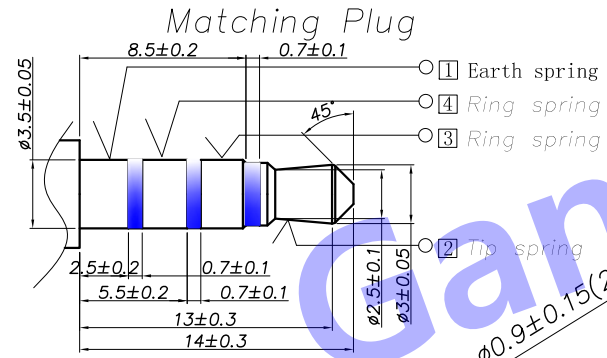
REV.	Q'TY	ECN. NO.	REASON&CONTENTS	SIGN	DATE
△	X2		Modify circuit diagram	Bull.pan	2011.03.04
△	X1		Modify circuit diagram	Bull.pan	2011.10.08
△	X1		Add terminal plating: Au	PJ	2012.05.17
△	X1		Add Material of housing: 9T=PA9T	LUCY	2012.06.29



Ordering information:  
 P J 3 0 2 2 0 - □ □ □ □ □ □ □  
 (1) (2) (3) (4) (5) (6) (7)

(1): Series No.  
 (2): Schematic option: M, D, N  
 (3): Material of housing:  
 PB=PBT (Standard) 9T=PA9T △  
 (4): Housing color:  
 0A=Black (Standard)  
 2R=Red (204C/0046=PBT)  
 4K=Yellow (0008=PBT)  
 5S=Green (0094=PBT)  
 5Y=Green (360C/0460=PBT)  
 9A=White (0100=PBT)  
 (5): Terminal plating △  
 S=Silver (Ag) (Standard)  
 T=Tin (Sn) G=Gold (Au)  
 (6): Special option:  
 00=No special option  
 (7): Packing mode:  
 3=Plastic box packing  
 4=Bag packing

RECOMMENDED P. C. B. LAYOUT  
 UNSPECIFIED TOLERANCE: ±0.05  
 (TOP VIEW)



Circuit Diagram □: Terminal No.

Specification:

- Rating : DC 30V 0.5A.
- Contact resistance: ≤30mΩ.  
After life test: ≤50mΩ.
- Insulation resistance: ≥100MΩ (500VDC).  
After life test: ≥50MΩ.
- Withstand voltage: 500VAC.
- Insertion and extraction force: 3N~30N.
- life test: 5000cycles min.
- Operation temperature range: -20°C~70°C.
- Preservative temperature range: -40°C~85°C.

NO.	DESCRIPTION	QTY	MATERIAL	PART NO.	REMARK	
⑤	Ring spring	④	1	Copper alloy	PJ30220-04(TP-JK0020)	Tin/Ag/Au plating
④	Ring spring	③	1	Copper alloy	PJ30220-03(TP-JK0019)	Tin/Ag/Au plating
③	Tip spring	②	1	Copper alloy	PJ30220-02(JA-JK0039)	Tin/Ag/Au plating
②	Earth spring	①	1	Copper alloy	PJ30220-01(TP-JK0018)	Tin/Ag/Au plating
①	Housing		1	Engineering thermoplastic	PJ30220-S1(ST-JK0022)	

THIS DOCUMENT IS THE SOLE PROPERTY OF Ocean ELECTRONICS CO., LTD. AND SHOULD NOT BE USED IN WHOLE OR IN PART WITHOUT PRIOR WRITTEN PERMISSION.	UNIT: MM	TOLERANCE		TYPE: ø3.5 PHONE JACK	MODEL NO: PJ30220-_____	DRAWING TYPE: CUSTOMER DRAWING		
		DIMENSIONS	ANGLES		DRAWING No: 0000-0034	SCALE: N/A	VER.: 07	PAGE: 1/1
		.X ±0.50	X ±3.0°					
		.XX ±0.30	.X ±1.5°					
	.XXX ±0.15	.XX ±1.0°						
DESIGNER BY:	LUCY 2012.06.29							
CHECK BY:	Matt 2012.06.29							
APPROVED BY:	Ocean 2012.06.29							