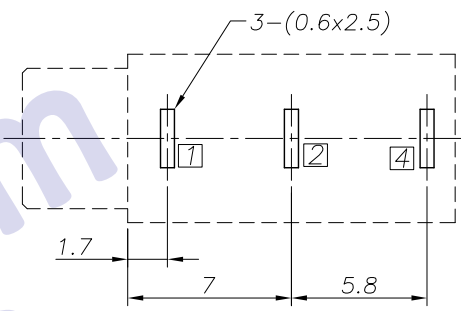
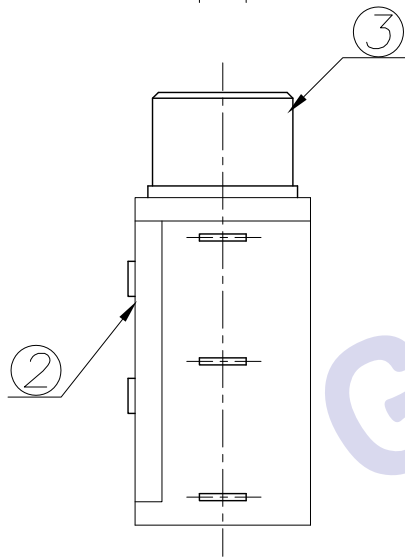
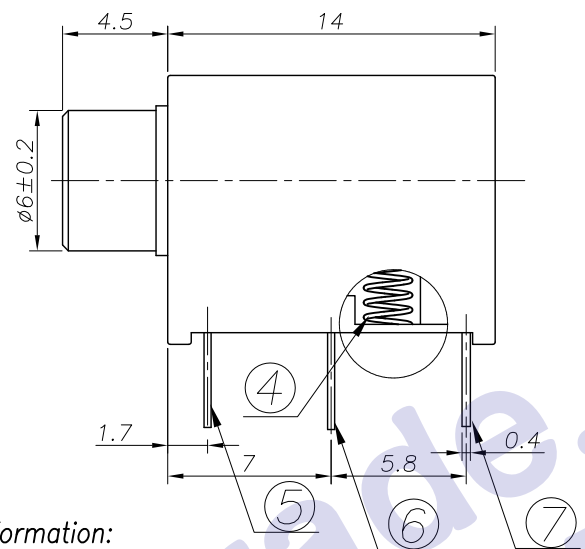
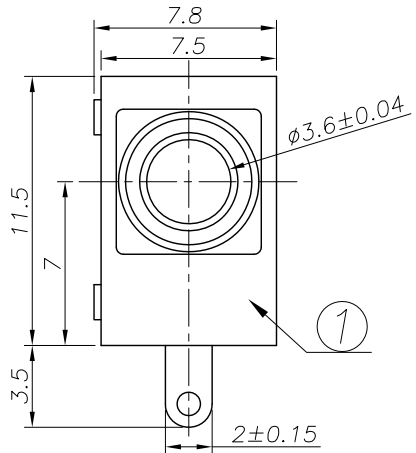
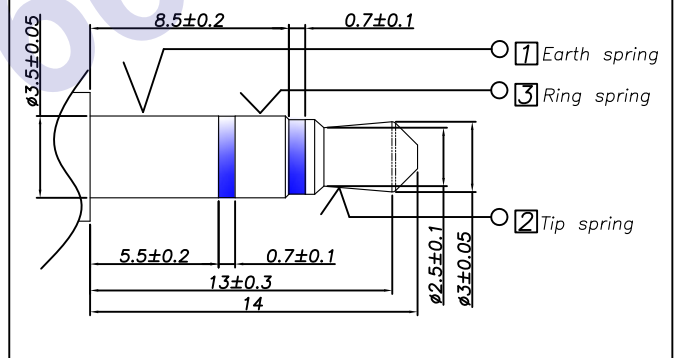


REV.	LTR.	DESCRIPTION	SIGN	DATE

P.C.B Layout  
(Copper-side view)



Matching Plug



Ordering information:

PJ30230- ? PB 0A C ?? 4

- ① :Series No.
- ② :Schematic option: C E
- ③ :Material of housing  
PB=PBT (Only)
- ④ :Housing color  
0A=Black (Only)
- ⑤ :Terminal plating  
T=Tin(Sn)  
S=Silver(Ag)  
C=copper&tin alloy plating
- ⑥ :Special option  
(Standard)  
0C:Bushing is copper&tin alloy plating  
(standard)  
0N:Bushing is nickel plating  
⑦ :Packaging mode  
4.Bag packing

Model NO.	PJ30230-C	PJ30230-E
Schematic		

□ :Terminal No. ○ :Item No.

SPECIFICATION

- 1.Rating ?DC 30V 0.5A?
- 2.Contact resistance?≤30mΩ?
- 3.Insulation resistance??100MΩ (DC250V)?
- 4.Withstand voltage?500VAC ?
- 5.Insertion and extraction force?3-30N;
- 6.life test?5,000 cycles?

NO.	DESCRIPTION	QTY	MATERIAL	PLATING
⑦	Shunt terminal	1	Brass	Cu-Sn-Plating
⑥	Tip spring	1	Phosphor bronze	Cu-Sn-Plating
⑤	Earth Spring	1	Brass	Cu-Sn-Plating
④	Spring	1	spring steel	Ni-Plating
③	Bushing	1	Brass	Ni/Au/Cu-Sn-Plating
②	Cover	1	PBT/PC	
①	Housing	1	PBT	

UNIT:MM	TYPE:	MODEL NO:	PAPER NO:	PAGE 1 OF 1
	ø3.5 PHONE JACK	PJ30230-_-PBOAC_	A4 TOLERANCE ANGLES	SCALE VER
			±0.3 ±2'	1:1 2

DESIGNER Zhuhong 2008/9/13  
BY: \_\_\_\_\_  
CHECK \_\_\_\_\_  
BY: \_\_\_\_\_  
APPROVED \_\_\_\_\_  
BY: \_\_\_\_\_

HDC有限公司