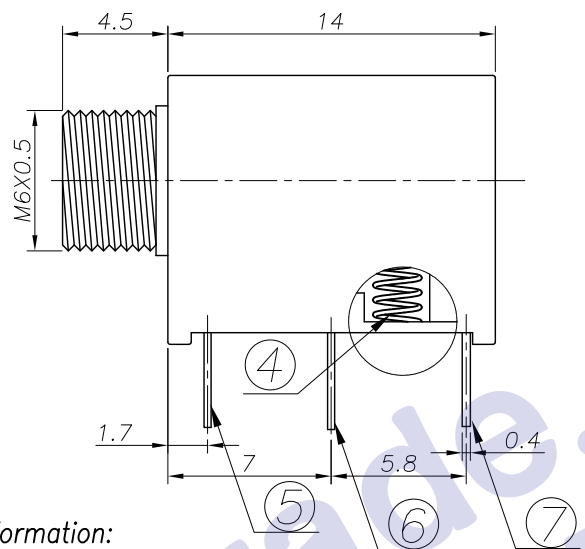
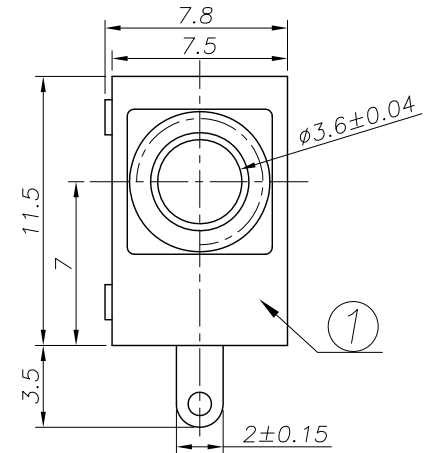
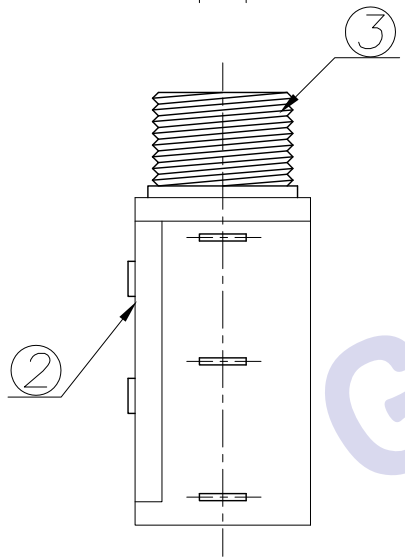
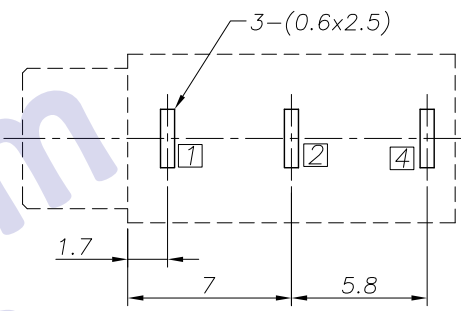


REV. LTR.	DESCRIPTION	SIGN	DATE



P.C.B Layout
(Copper-side view)



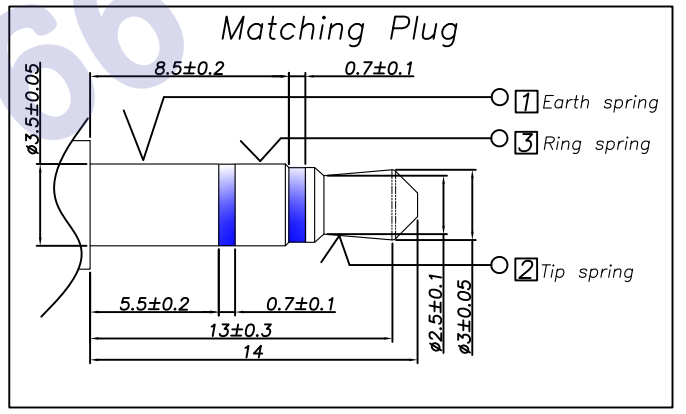
Ordering information:

PJ3023M-? PB 0A C ?? 4

- ① :Series No.
- ② :Schematic option: C E
- ③ :Material of housing
PB=PBT (Only)
- ④ :Housing color
0A=Black (Only)
- ⑤ :Terminal plating
T=Tin(Sn)
S=Silver(Ag)
C=copper&tin alloy plating
- ⑥ :Special option
(Standard)
0C:Bushing is copper&tin alloy plating
(standard)
0N:Bushing is nickel plating
- ⑦ :Packaging mode
4.Bag packing

Model NO.	PJ3023M-C	PJ3023M-E
Schematic		

□ :Terminal No. ○ :Item No.



⑦	Shunt terminal	1	Brass	Cu-Sn-Plating
⑥	Tip spring	1	Phosphor bronze	Cu-Sn-Plating
⑤	Earth Spring	1	Brass	Cu-Sn-Plating
④	Spring	1	spring steel	Ni-Plating
③	Bushing	1	Brass	Ni/Au/Cu-Sn-Plating
②	Cover	1	PBT/PC	
①	Housing	1	PBT	
NO.	DESCRIPTION	QTY	MATERIAL	PLATING

UNIT:MM	TYPE:	MODEL NO:	PAPER NO:	PAGE 1 OF 1
	ø3.5 PHONE JACK	PJ3023M-__PBOAC__	A4	TOLERANCE ANGLES SCALE VER
			±0.3 ±2'	1:1 2

DESIGNER Zhuhong 2008/9/13
BY: _____
CHECK _____
BY: _____
APPROVED _____
BY: _____

HDC有限公司

SPECIFICATION

- 1.Rating ?DC 30V 0.5A?
- 2.Contact resistance?≤30mΩ?
- 3.Insulation resistance??100MΩ (DC250V)?
- 4.Withstand voltage?500VAC ?
- 5.Insertion and extraction force?3-30N;
- 6.life test?5,000 cycles?