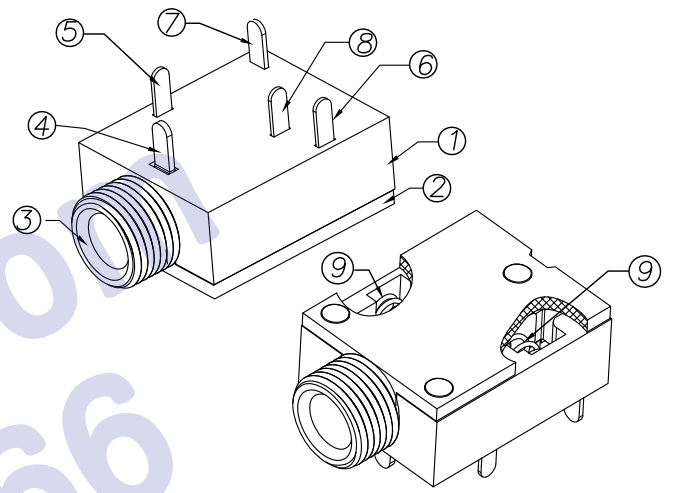
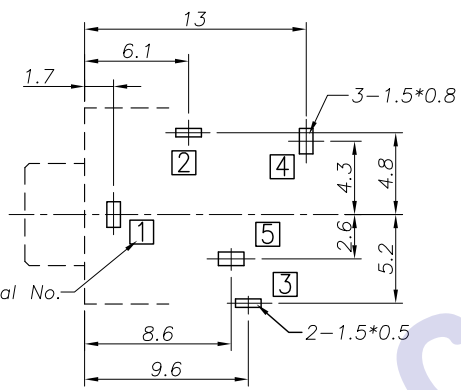
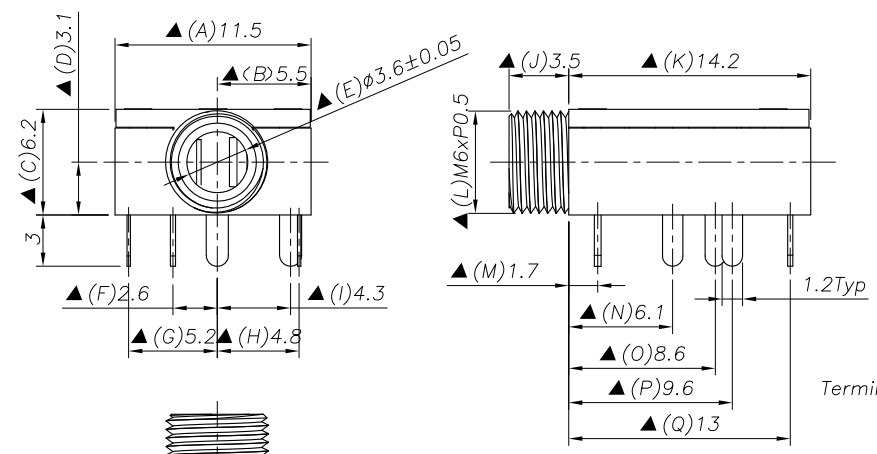


REV. LTR.	DESCRIPTION	SIGN	DATE
▲	Update drawing	Na Na	2013.04.23

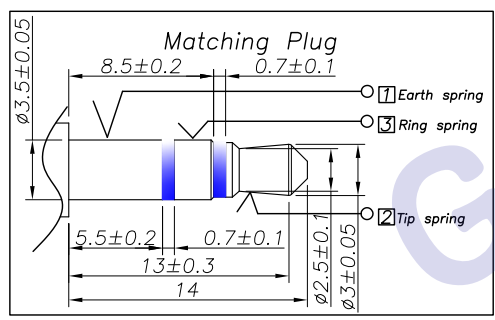


Ordering information:  
 PJ3024M - ? PB 0A S ?? 4

- ? :Series No.
- ? :Schematic option: A B C D E
- ? :Material of housing:  
PB=PBT (Only)
- ? :Housing color:  
0A=Black (Only)
- ? :Terminal plating  
S=Silver(Ag) (Standard)
- ? :Special option:  
0N: Metal bushing is nickel plated  
0G: Metal bushing is gold plated

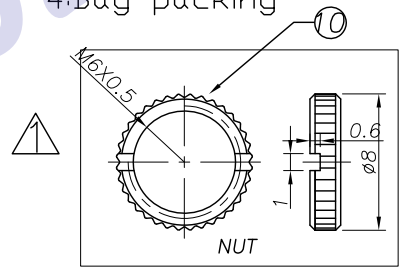
Model No.	PJ3024M-A	PA3024M-B	PJ3024M-C	PJ3024M-D	PJ3024M-E
Schematic					

□: TERMINAL NO.



- (8):Packing mode:  
3:Plastic box packing  
4:Bag packing

- Specification:
- Rating : DC 30V 0.5A;
  - Contact resistance:  $\leq 30m\Omega$  ;  
After test:  $\leq 50m\Omega$
  - Insulation resistance:  $\geq 100M\Omega$  (500VDC) ;  
After test:  $\geq 50M\Omega$
  - Withstand voltage: 500VAC ;
  - Insertion and extraction force: 3N~30N;
  - life test: 5000cycles min;
  - Operation temperature range:-20℃~70℃
  - Preservative temperature range:-40℃~85℃
  - Sign"▲"is importance dimension.



NO.	DESCRIPTION	QTY	MATERIAL	PART NO.	REMARK
10	Mut	1	Copper alloy		Ni:80u"
9	Spring	2	Spring steel		Ni:80u"
8	Shunt terminal-2	5	Brass t0.35	PJ30240-05	Ni:30u"Ag:20u"
7	Shunt terminal-1	4	Brass t0.35	PJ30240-04	Ni:30u"Ag:20u"
6	Ring spring	3	Phosphor bronze t0.25	PJ30240-03	Ni:30u"Ag:20u"
5	Tip spring	2	Phosphor bronze t0.25	PJ30240-02	Ni:30u"Ag:20u"
4	Earth terminal	1	Brass t0.4	PJ30240-01	Ni:30u"Ag:20u"
3	Bushing	1	Copper alloy	PJ3024M-88	Ni:80u"
2	Cover	1	PC	PJ30240-S2	
1	Housing	1	PBT	PJ30240-S1	

UNIT:MM	TYPE:	MODEL NO:	PAPER NO: A4	PAGE 1 OF 1
	φ3.5 PHONE JACK	PJ3024M-PB0AS_4	TOLERANCE	ANGLES
			±0.3	±2°
			SCALE	VER
			FULL	04

HDC有限公司