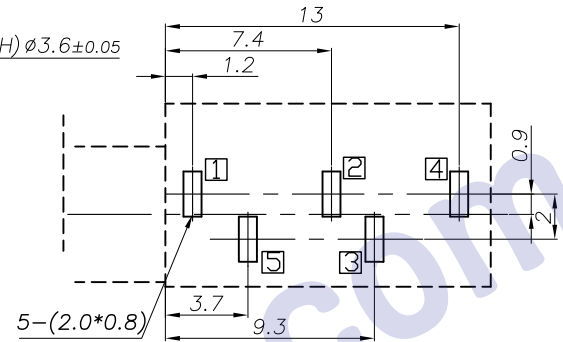
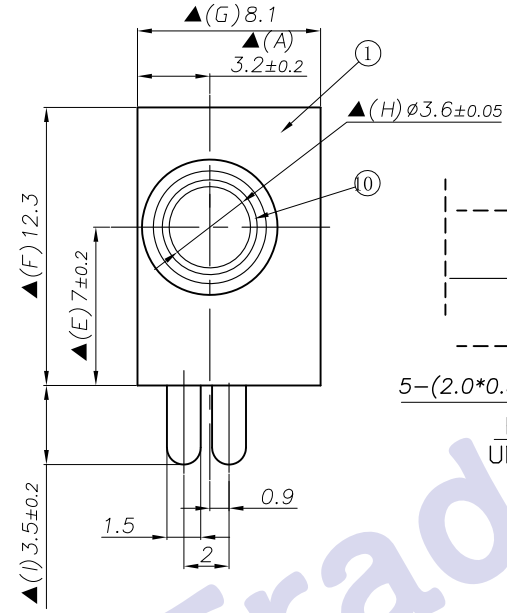
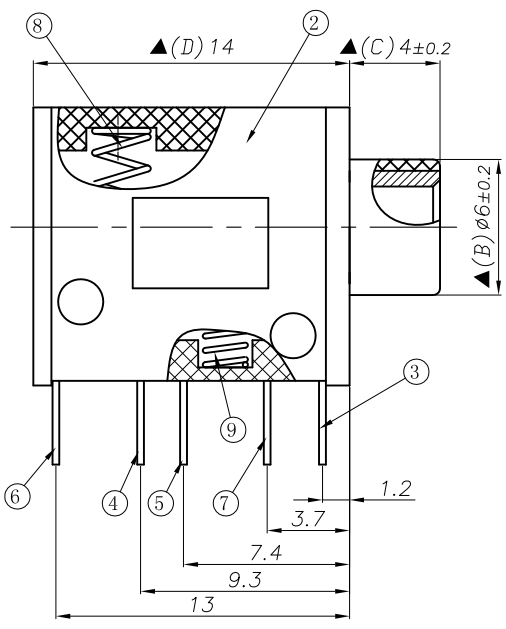
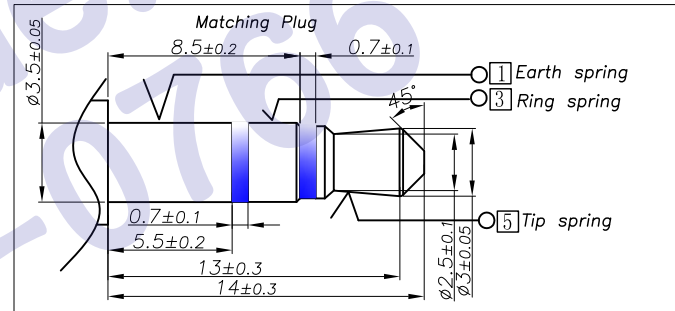


| REV. LTR. | DESCRIPTION | SIGN | DATE |
|-----------|--------------------------|------|------------|
| △ | Add the new color style. | MY Y | 2011.08.25 |
| △ | Add new p/n for white | Matt | 2013.01.28 |

Specification:
 1. Rating : DC 30V 0.5A.
 2. Contact resistance: ≤30mΩ.
 After test: ≤50mΩ.
 3. Insulation resistance: ≥100MΩ (500VDC).
 After test: ≥50MΩ
 4. Withstanding voltage: 500VAC .
 5. Insertion and extraction force: 3N~30N.
 6. life test: 5000cycles min.
 7. Operation temperature range:-20℃~70℃
 8. Preservative temperature range:-40℃~85℃
 9. Sign"▲" is importance dimension



RECOMMENDED P.C.B. LAYOUT
 UNSPECIFIED TOLERANCE (BOTTOM VIEW)



Ordering information:
 △ PJ3025C- [] [] [] [] [] [] [] 3
 (1) (2) (3) (4) (5) (6) (7)
 (1):Series No.
 (2):Schematic option: A B C D
 (3):Material of housing:
 PB=PBT (Standard) 46=PA46
 (4): Housing color:
 0A=Black (PBT/PA46) 2L=Red (0211=PA46)
 2G=Red (0146=PBT) 2L=Pink (0279 PBT) △
 2R=Red (0046=PBT) 3A=Orange (0031=PBT)
 5V=Green (0012=PBT) 5F=Green (0326=PBT)
 5V=Green (0212=PA46) 6A=Blue (0011=PBT)
 6B=Blue (0037=PBT) 5G=lime (0221 PBT) △
 3B=Orange (PA46) △ 6F=Blue (PA46) △
 9A=White △
 (5):Terminal plating
 T=The terminal are Tin(Sn)plating, but 3# terminal is silver(Ag) plating (Standard)
 G=Gold(Au)
 (6):Special option—Bushing plating
 00=Nickel(Ni) plating
 0G=Gold(Au) plating
 (7):Packing mode:
 3=Plastic box packing

| P/N | PJ3025C-A | PJ3025C-B |
|-----------|-----------|-----------|
| Schematic | | |
| | PJ3025C-C | PJ3025C-D |
| | | |

[] : TERMINAL NO.

| NO. | DESCRIPTION | QTY | MATERIAL | PART NO. | REMARK |
|-----|------------------|-----|-----------------------|--|--|
| 10 | Bushing | 1 | Copper alloy | PJ3025C-88 | Nickel(Ni) plating Gold(Au) plating |
| 9 | spring-2 | 1 | Spring Wire | PJ30550-66A | Nickel(Ni) plating |
| 8 | spring-1 | 1 | Spring Wire | PJ30550-66B | Nickel(Ni) plating |
| 7 | Tip spring | 1 | Phosphor bronze t0.25 | PJ30250-05 | Tin(Sn) plating |
| 6 | Shunt terminal-2 | 1 | Brass t0.3 | PJ30250-04 | Tin(Sn) plating |
| 5 | Shunt terminal-1 | 1 | Brass t0.3 | PJ30250-02 | Tin(Sn) plating |
| 4 | Ring spring | 1 | Phosphor bronze t0.25 | PJ30250-03 (Only used to A/C kind of circuit) PJ30250-03B (Only used to B/D kinds of circuit) | Silver(Ag) plating |
| 3 | Earth terminal | 1 | Brass t0.25 | PJ30250-01 | Tin(Sn) plating |
| 2 | Cover | 1 | PBT | PJ30250-S2 | |
| 1 | Housing | 1 | PA46/PBT | PJ3025C-S1 | |

| UNIT:MM | TYPE: | MODEL NO: | PAPER NO: A4 | PAGE 1 OF 1 |
|---------|-----------------|----------------|-------------------|---------------|
| ⊕ | ⌀3.5 PHONE JACK | PJ3025C-_____3 | TOLERANCE ±0.3 | ANGLES ±2° |
| | | | SCALE N/A | VER 7 |

DESIGNER BY:
 CHECK BY:
 APPROVED BY:

HDC有限公司