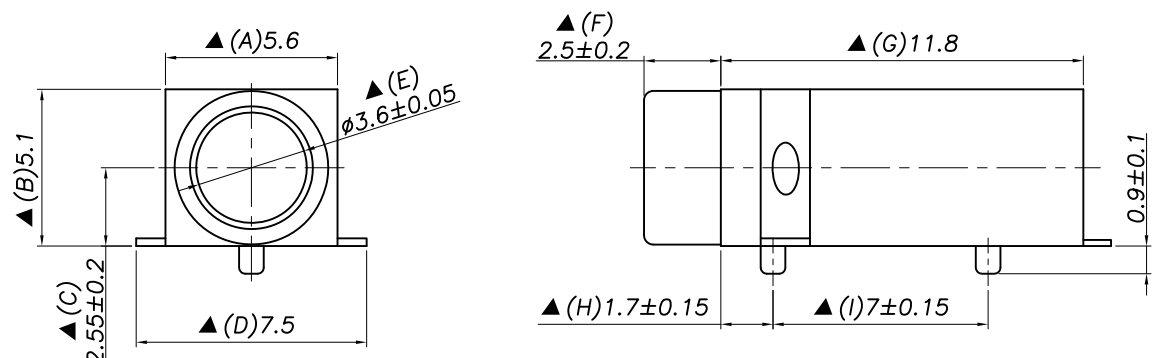
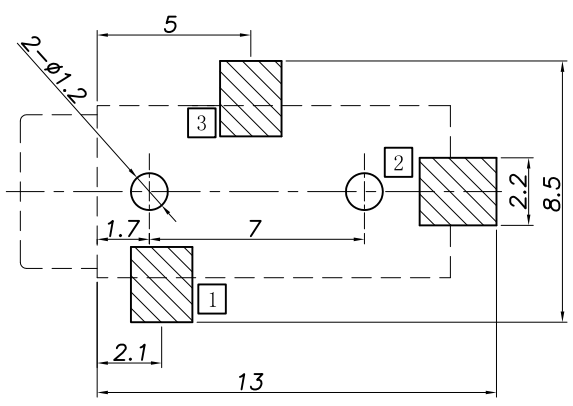


|           |                |      |            |
|-----------|----------------|------|------------|
| REV. LTR. | DESCRIPTION    | SIGN | DATE       |
|           | Update drawing | PD X | 2011.07.18 |

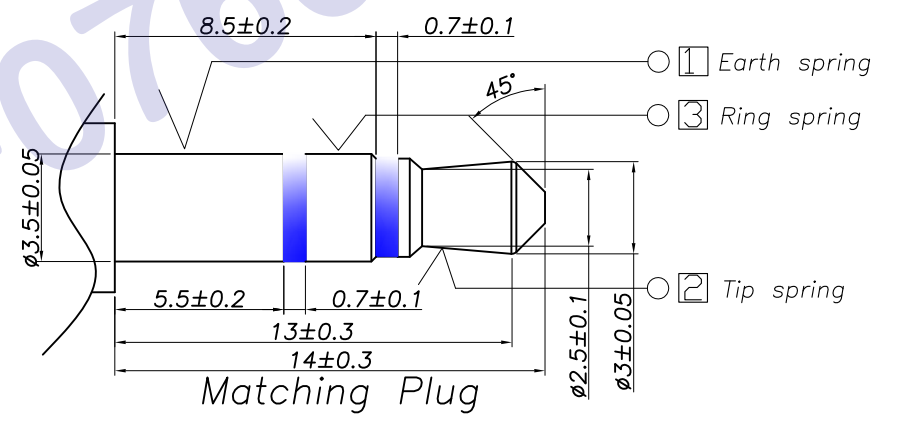
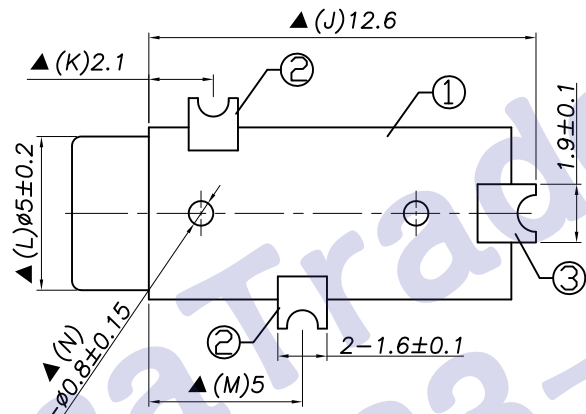


Ordering information:  
 PJ30260-□ 9T 0A S 00 1  
 (1) (2) (3) (4) (5) (6) (7)

(1):Series No  
 (2):Schematic option:D E  
 (3):Material of housing:9T=PA9T  
 (4):Housing color:  
 0A=Black  
 (5):Terminal plating:S=Silver(Ag)  
 (6):Special option:  
 00=No special option  
 (7):Packing mode:  
 1=Reel packing



RECOMMENDED P. C. B. LAYOUT  
 UNSPECIFIED TOLERANCE: ±0.05  
 (TOP VIEW)



|           |           |           |
|-----------|-----------|-----------|
| Model No. | PJ30260-D | PJ30260-E |
| Schematic |           |           |

Specification:  
 1.Rating ?DC 30V 0.5A.  
 2.Contact resistance?≤30m?. After test:≤50m?  
 3.Insulation resistance??100M? (500VDC). After test:50M?  
 4.Withstanding voltage?500VAC.  
 5.Insertion and extraction force?3N  
 6.life test?5000cycles min.  
 7.Operation temperature range?0-20  
 8.Preservative temperature range?-40  
 9.Sign"? "is importance dimension.

□: TERMINAL NO.

|              |                 |                       |                  |                 |                |                |
|--------------|-----------------|-----------------------|------------------|-----------------|----------------|----------------|
| ③            | Tip spring      | 2                     | 1                | Phosphor bronze | PJ30260-0A-940 | Silver plating |
| ②            | Earth spring    | 1 ③                   | 2                | Phosphor bronze | PJ30260-0A-939 | Silver plating |
| ①            | Housing         |                       | 1                | PA9T            | PJ30260-0A-938 | Black          |
| ITEM NO.     | DESCRIPTION     | QTY                   | MATERIAL         | PART NO.        | REMARK         |                |
| UNIT:MM      | TYPE:           | MODEL NO:             | PAPER NO: A4     |                 | PAGE 1 OF 1    |                |
|              |                 | $\phi 3.5$ PHONE JACK | PJ30260-9T0AS001 | TOLERANCE       | ANGLES         | SCALE          |
|              |                 |                       |                  | ±0.3            | ±2°            | N/A            |
| DESIGNER BY: | PD X 2011.07.18 |                       | HDC有限公司          |                 |                |                |
| CHECK BY:    |                 |                       |                  |                 |                |                |
| APPROVED BY: |                 |                       |                  |                 |                |                |