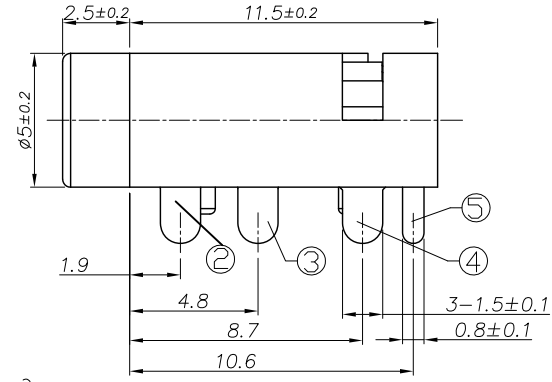
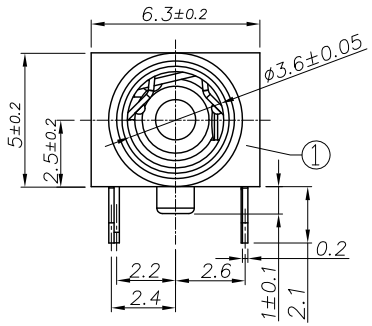
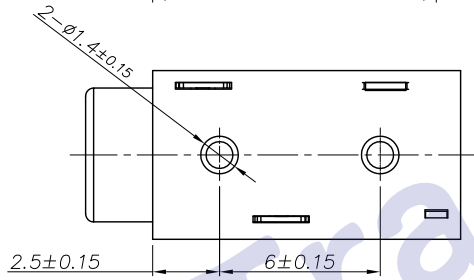
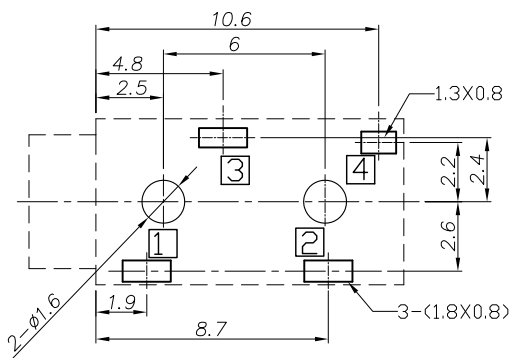


REV	QTY	ECN. NO.	REASON&CONTENTS	SIGN	DATE
			Update drawing	TAO L	2013.04.08



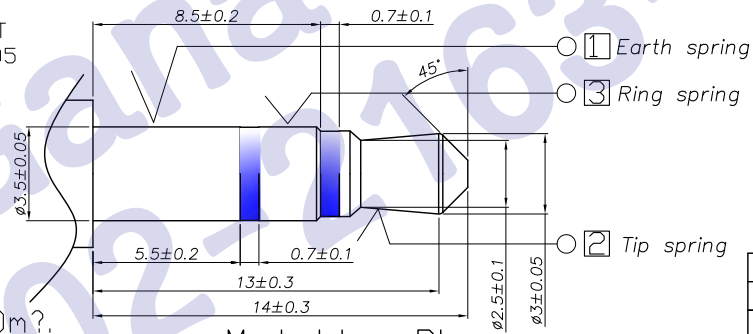
Ordering information:  
 PJ30270 ? ?? ?? ? ?? ?  
 (1) (2)(3) (4) (5) (6) (7)  
 (1):Series No.  
 (2):Schematic option:B,C,D  
 (3):Material of housing:  
 PB=PBT 46=PA46 9T=PA9T  
 (4):Housing color:  
 0A=Black 4N=Yellow(0080=PBT)  
 Zero 2R=Red(0046=PBT) 5F=Green(0326=PBT)  
 6B=Blue(0037=PBT)  
 (5):Terminal plating:  
 S=Silver(Ag) G=Gold(Au) T=Tin(Sn)  
 (6):Special option:  
 00=No special option  
 0G=Housing have mark"GG"  
 (7):Packing mode:  
 3=Plastic box packing  
 4=Bag packing



RECOMMENDED P.C.B. LAYOUT  
 UNSPECIFIED TOLERANCE:±0.05  
 (TOP VIEW)

Model No.	PJ30270-B	PJ30270-C	PJ30270-D
Schematic			

□ Terminal No.



Matching Plug

- Specification:
- Rating ?DC 30V 0.5A.
  - Contact resistance?≤30m?  
After test:≤50m?
  - Insulation resistance??100M? (500VDC).  
After test:50M?
  - Withstanding voltage?500VAC.
  - Insertion and extraction force?3N
  - life test?5000cycles min.
  - Operation temperature range? -20
  - Preservative temperature range? -40

NO	DESCRIPTION	Q'TY	MATERIAL	PART NO.	REMARK
⑤	Shunt terminal	1	Copper Alloy	PJ30270-04	Ag/Au/tin plating
④	Tip spring	1	Copper Alloy	PJ30270-02	Ag/Au/tin plating
③	Ring spring	1	Copper Alloy	PJ30270-01	Ag/Au/tin plating
②	Earth spring	2	Copper Alloy	PJ30270-01	Ag/Au/tin plating
①	Housing	1	Thermoplastic	PJ30270-S1	

THIS DOCUMENT IS THE SOLE PROPERTY OF BSC ELECTRONICS CO., LTD. AND SHOULD NOT BE USED IN WHOLE OR IN PART WITHOUT PRIOR WRITTEN PERMISSION.	UNIT:MM	TOLERANCE	TYPE:	MODEL NO:	DRAWING TYPE:
		DIMENSIONS ANGLES	φ3.5 PHONE JACK	PJ30270- - - - -	CUSTOMER DRAWING
		X ±0.50 X ±5° XX ±0.30 .X ±3° XXX ±0.15 .XX ±2°		DRAWING No: BSCR-0000-0065	SCALE:VER. PAGE: N/A 01 1/1
DESIGNER BY: TAO L	CHECK BY: MATT	APPROVED BY: GUO JI	<b>HDC有限公司</b>		