

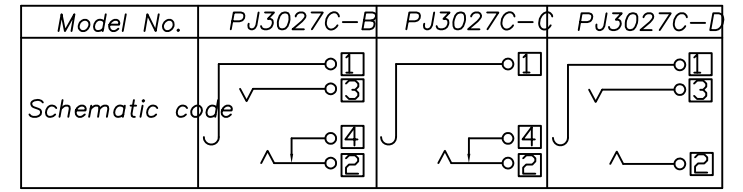
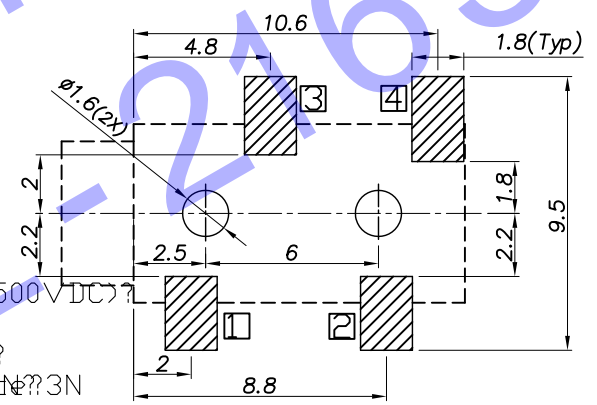
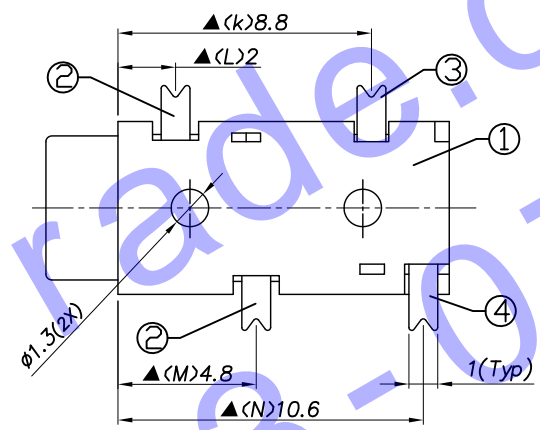
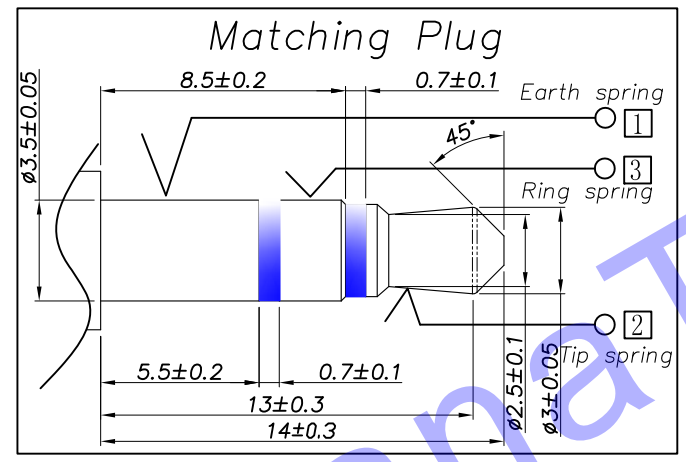
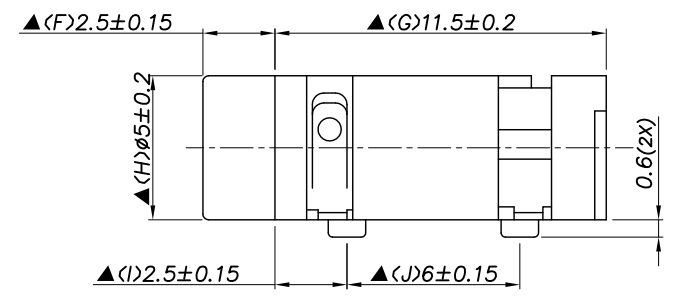
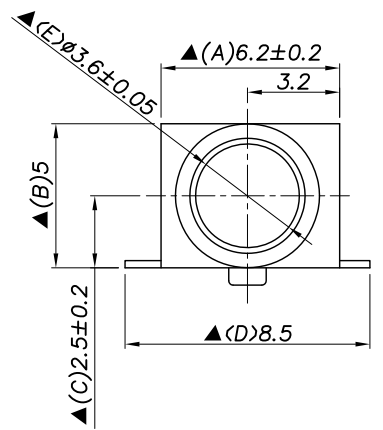
REV. LTR.	DESCRIPTION	SIGN	DATE
①	Add plating	Zengyu	2010.01.17
②	The change of terminal's part	Zengyu	2010.05.19
③	Accession housing color	PD X	2011.03.10

Ordering information:

PJ3027C 9T?? ? 00 1

(1) (2) (3) (4) (5)(6) (7)

- (1):Series No
- (2):Schematic option:B C D
- (3):Material of housing:9T=PA9T
- (4):Housing color:
 - 0A=Black
 - 2L=Red(401C/0405)
 - 5G=Green(577C/0406)
 - ③ 6A=Blue(284C/0432)
- (5):Terminal plating:
 - S=Silver(Ag) G=Gold(Au)
- (6):Special option:
 - 00=No special option
- (7):Packing mode:
 - 1:Reel packing



Circuit Diagram Terminal No.

④ Shunt terminal	④ 1	Brass 0.3t	③ PJ3027C-04(WP-646)	Silver/Gold plating
③ Tip spring	② 1	Beryllium bronze 0.25t	PJ3027C-02(TP-647)	Silver/Gold plating
② Earth spring	①③ 2	Phosphor bronze 0.2t	PJ3027C-01(JA-648)	Silver/Gold plating
① Housing	1	PA9T,UL94 V-0	PJ3027C-S1(ST-645)	

Specification:

- 1.Rating ?DC 30V 0.5A?
- 2.Contact resistance?≤30m??
After test:≤50m?
- 3.Insulation resistance??100M? (500VDC)?
After test:50M?
- 4.Withstanding voltage?500VAC ?
- 5.Insertion and extraction force?3N
- 6.life test?5000cycles min?
- 7.Operation temperature range? -20 ~ 70℃
- 8.Preservative temperature range? -40 ~ 85℃

Sign"? "is importance dimension?

RECOMMENDED P.C.B. LAYOUT
UNSPECIFIED TOLERANCE: ±0.05
(COPPER-SIDED VIEW)

NO.	DESCRIPTION	QTY	MATERIAL	PART NO.	REMARK
UNIT:MM	TYPE:	MODEL NO.:		PAPER NO: A4	PAGE 1 OF 1
	Ø3.5 PHONE JACK	PJ3027C-- 9T_ _ 100		TOLERANCE	ANGLES
DESIGNER BY:	PD X	2011.04.20		SCALE	VER
CHECK BY:				FULL	4
APPROVED BY:					

HDC有限公司