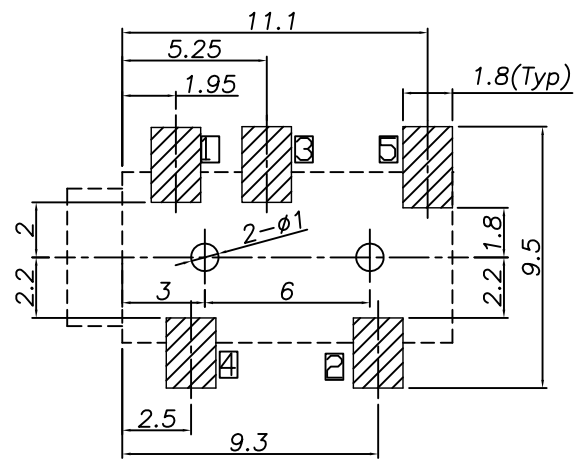
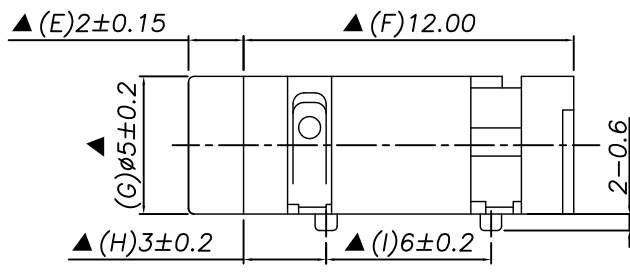
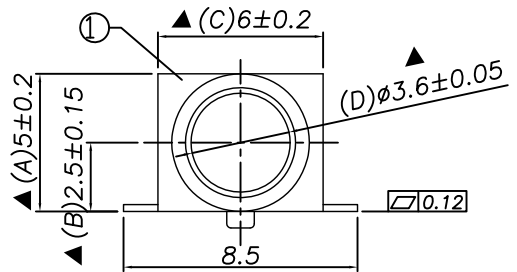


REV.	LTR.	DESCRIPTION	SIGN	DATE
		NEW RELEASE	John.	2010.10.20

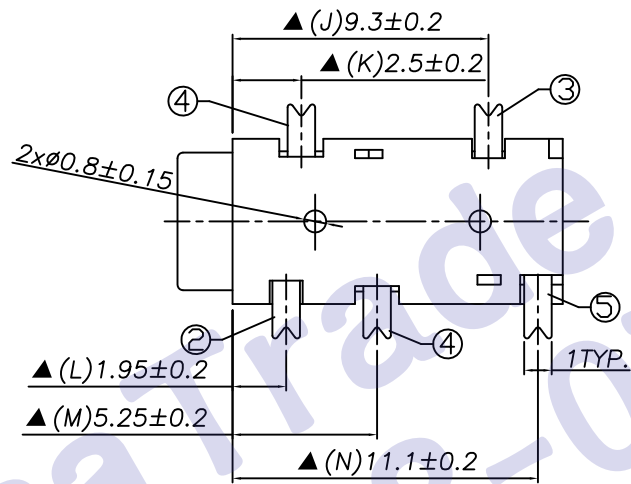
Ordering information:
 PJ3027R-? 9T?? ? 00 1
 (1) (2) (3X4) (5) (6X7X8)
 (1):Series type J=Phone Jack
 (2):Series No.
 (3):Schematic option: J,M,B,D
 (4):Material of housing: 9T=PA9T
 (5):Housing color:
 0A=Black 2L=Pink(701C/405)
 Zero 5G=Lime(577C/406) 6A=Blue(284C/432)
 (6):Terminal plating:
 S=Silver(Ag) G=Gold(Au)
 (7):Special option:
 00=No special option
 (8):Packing mode:
 1=Tape reel

Specification:
 1.Rating ?DC 30V 0.5A?
 2.Contact resistance?≤30m??
 After test:≤50m?
 3.Insulation resistance??100M?(500VDC)?
 After test:??50M?
 4.Withstand voltage?500VAC ?
 5.Insertion and extraction force?3N?30N?
 6.life test?5000cycles min?
 7.Operation temperature range?0~20
 8.Preservation temperature range?5~40
 9.Sign? "is importance dimension?"

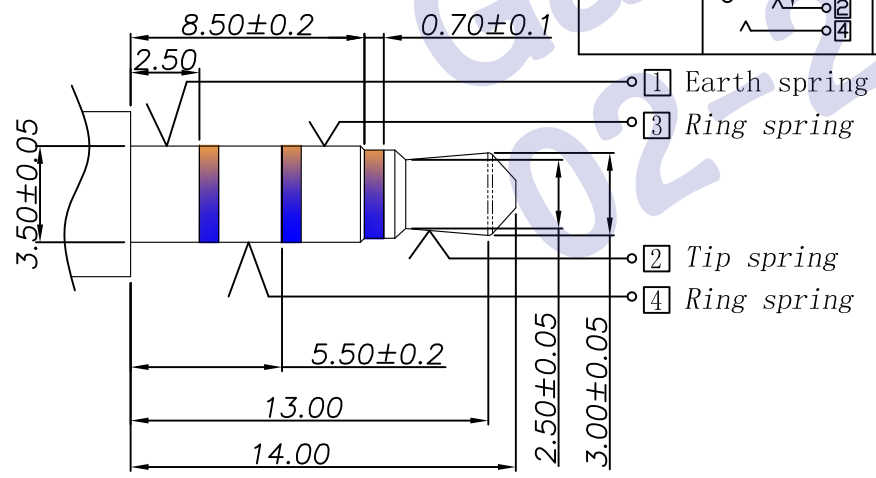


P.C.B Layout
(Copper-sided view)

Matching Plug



Model No.	PJ3027R-J	PJ3027R-M	PJ3027R-B	PJ3027R-D
Schematic				



⑤	Shunt terminal	1	Brass 0.30t	PJ3027C-03(WP-646)	Silver/Gold plating
④	Ring spring	2	Phosphor bronze 0.20t	PJ3027C-01(JA-648)	Silver/Gold plating
③	Tip spring	1	Beryllium bronze 0.25t	PJ3027E-02(TP-647)	Silver/Gold plating
②	Earth spring	1	Phosphor bronze 0.20t	PJ3027E-01(TP-996)	Silver/Gold plating
①	Housing	1	PA9T,UL94 V-0	PJ3027R-S1(ST-995)	
NO.	DESCRIPTION	QTY	MATERIAL	PART NO.	PLATING
UNIT:MM		TYPE: ∅3.5 PHONE JACK		MODEL NO: PJ3027R-9T	
				PAPER NO: A4	PAGE 1 OF 1
				TOLERANCE: ±0.3	ANGLES: ±2°
				SCALE: N/A	VER: 1
DESIGNER BY: John. 2010.10.20			HDC有限公司		
CHECK BY:					
APPROVED BY:					