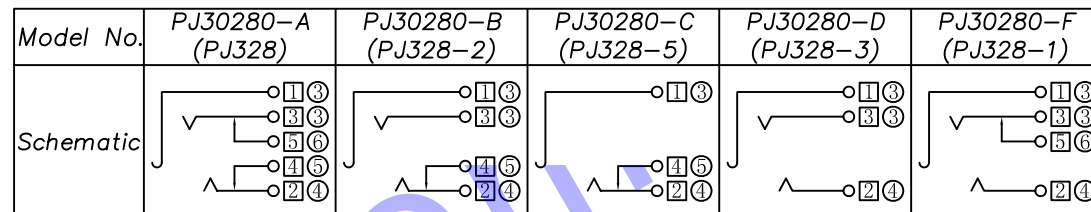
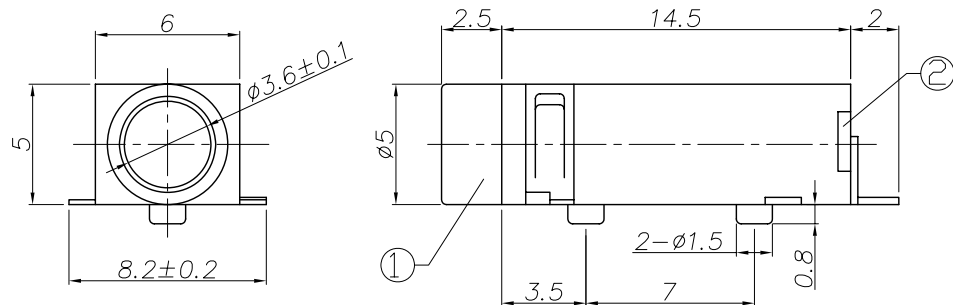


修正标记
REV. LTR.

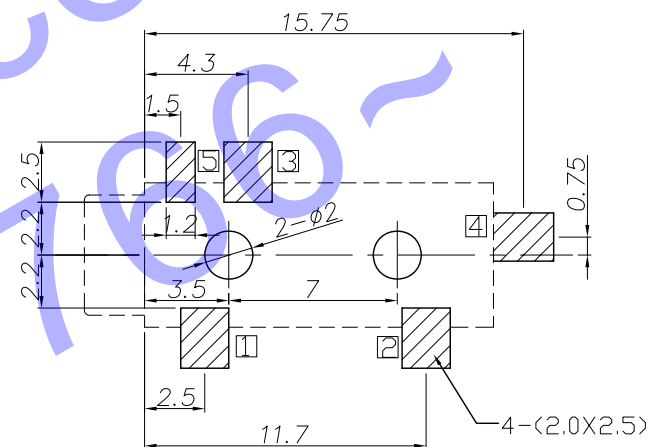
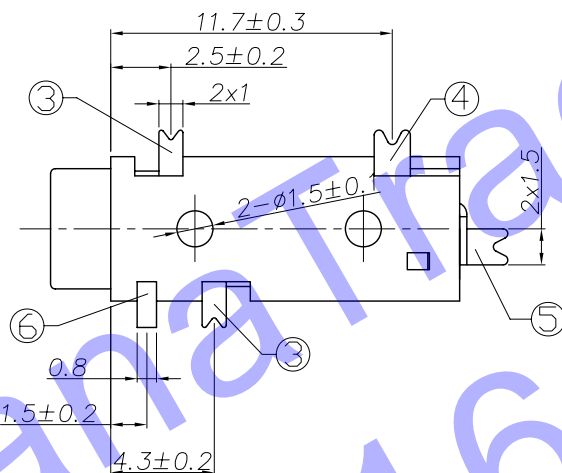
描述
DESCRIPTION

签名
SIGN

日期
DATE



Circuit Diagram □: Terminal No. ○: Item No.



P. C. B Layout
(Copper-sided view)

SPECIFICATION

1. Rating : DC 30V 0.5A;
2. Contact resistance: $\leq 50\text{m}\Omega$;
3. Insulation resistance: $\geq 100\text{M}\Omega$ (DC250V);
4. Withstand voltage: 500VAC ;
5. Insertion and extraction force: 3-30N;
6. life test: 5000 cycles.

NO.	DESCRIPTION	QTY	MATERIAL	PART NO.	PLATING
⑥	Shunt terminal	1	Brass t=0.2	PJ30280-05	Ag/Au-Plating
⑤	Shunt terminal	1	Brass t=0.3	PJ30280-04	Ag/Au-Plating
④	Tip spring	1	Bronze t=0.3	PJ30280-02	Ag/Au-Plating
③	Earth spring	1	SUS301 t=0.2	PJ30280-01	Ag/Au-Plating
②	Cover	1	PA46,UL94 V-0	PJ30280-S2	
①	Housing	1	PA9T,UL94 V-0	PJ30280-S1	

UNIT:MM	TYPE:	MODEL NO:	PAPER NO: A4	PAGE 1 OF 1
	φ3.5 PHONE JACK	PJ30280-__	TOLERANCE	ANGLES
			±0.3	±2°
			SCALE	VER
			FULL	7
DESIGNER BY:	Michael 2008.03.20			
CHECK BY:				
APPROVED BY:				