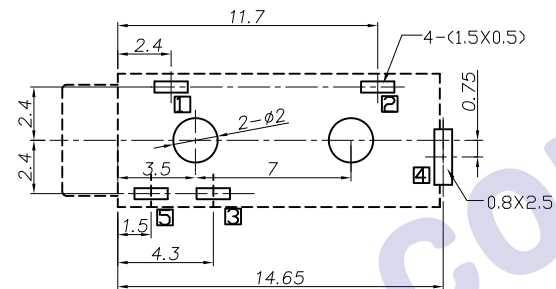
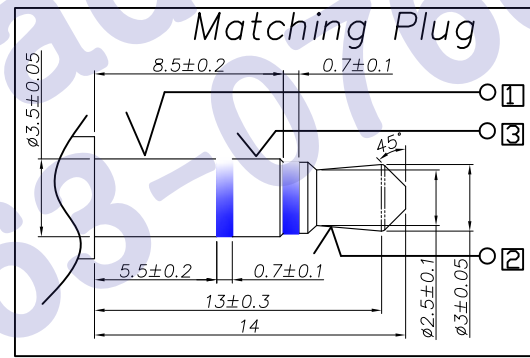


REV. LTR.	DESCRIPTION	SIGN	DATE



P.C.B. Layout  
(Copper-sided view)



Ordering information:  
**PJ3028A? ?? ?? S 00 4**  
 (1) (2) (3) (4) (5)(6)(7)  
 (1):Series No.  
 (2):Schematic option:A?B?C?D?F  
 (3):Material of housing:  
 46=PA46 PB=PBT 9T=PA9T  
 (4):Housing color:  
 0A=Black 2L=Red(0211=PA46)  
 5V=Green(0212=PA46)  
 2L=Red(701C/0046=PBT)  
 5G=Green(577C/0316=PBT)  
 (5):Terminal plating:  
 S=Silver(Ag)  
 (6):Special option:  
 00=No special option  
 (7):Packing mode:  
 1=tape reel packing  
 4=Bag packing

Model No.	PJ3028A-A (PJ-328A)	PJ3028A-B (PJ-328A-2)	PJ3028A-C (PJ-328A-5)	PJ3028A-D (PJ-328A-3)	PJ3028A-F (PJ-328A-1)
Schematic					

Specification:

- Rating ?DC 30V 0.5A?
- Contact resistance?≤50m??  
After test:≤100m?
- Insulation resistance??100M?(500VDC)?  
After test:50M?
- Withstand voltage?500VAC ?
- Insertion and extraction force?3N?30N?
- life test?5000cycles min?
- Operation temperature range?20?20
- Preservation temperature range?5?740
- Sign? "is importance dimension?

⑦	Shunt terminal	5	1	Brass 0.2t	PJ3028A-05	Silver plating
⑥	Shunt terminal	4	1	Brass 0.3t	PJ3028A-04	Silver plating
⑤	Ring spring	3	1	Stainless steel 0.2t	PJ3028A-01	Silver plating
④	Tip spring	2	1	Phosphor bronze 0.3t	PJ3028A-02	Silver plating
③	Earth spring	1	1	Stainless steel 0.2t	PJ3028A-01	Silver plating
②	Cover		1	PBT	PJ30280-S2	
①	Housing		1	PBT/PA46/PA9T	PJ30280-S1	
NO.	DESCRIPTION	QTY	MATERIAL	PART NO.	REMARK	

UNIT:MM	TYPE:	MODEL NO:	PAPER NO: A4	PAGE 1 OF 1	
	φ3.5 PHONE JACK	PJ3028A-_-_-_-	TOLERANCE	ANGLES	SCALE
			±0.3	±2°	N/A
DESIGNER BY:	M d 2012.12.21	<b>HDC有限公司</b>			
CHECK BY:	cher2012.12.21				
APPROVED BY:	jgg 2012.12.21				