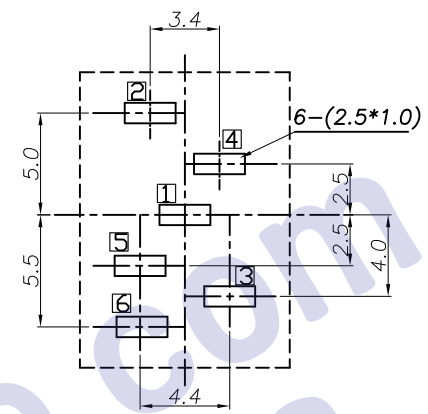
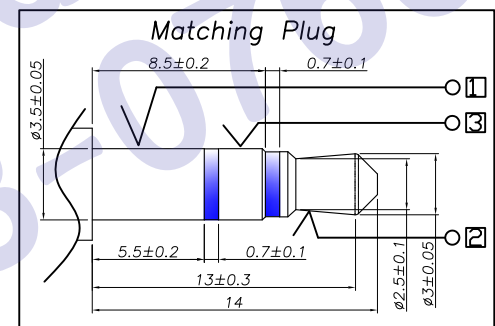


|           |                |      |            |
|-----------|----------------|------|------------|
| REV. LTR. | DESCRIPTION    | SIGN | DATE       |
| △         | Instead Scheme | Log  | 2010.05.04 |



P.C.B Layout  
(Copper-sided view)



Matching Plug

|                |                          |                          |                          |                          |
|----------------|--------------------------|--------------------------|--------------------------|--------------------------|
| Model No.      | PJ3033M-P<br>(PJ-333M)   | PJ3033M-A<br>(PJ-333M-1) | PJ3033M-I<br>(PJ-333M-2) | PJ3033M-B<br>(PJ-333M-3) |
| Schematic code |                          |                          |                          |                          |
| Model No.      | PJ3033M-D<br>(PJ-333M-4) | PJ3033M-S<br>(PJ-333M-5) |                          |                          |
| Schematic code |                          |                          |                          |                          |

□ Terminal NO.

- Specification:
- Rating ?DC 30V 0.5A?
  - Contact resistance?≤50m??  
After test:≤100m?
  - Insulation resistance??100M? <500VDC)?  
After test:50M?
  - Withstand voltage?500VAC ?
  - Insertion and extraction force?3N
  - life test?5000cycles min?
  - Operation temperature range?0-20
  - Preservative temperature range:-40
  - Sign"? "is importance dimension?

|   |                |   |   |                 |                    |                |
|---|----------------|---|---|-----------------|--------------------|----------------|
| ⑧ | Make terminal  | 6 | 1 | Phosphor bronze | PJ30330-06(JA-668) | Silver plating |
| ⑦ | Shunt terminal | 5 | 1 | Brass           | PJ30330-05(PP-665) | Silver plating |
| ⑥ | Shunt terminal | 4 | 1 | Brass           | PJ30330-04(PP-666) | Silver plating |
| ⑤ | Ring spring    | 3 | 1 | Stainless steel | PJ30330-03(TP-663) | Silver plating |
| ④ | Tip spring     | 2 | 1 | Phosphor bronze | PJ30330-02(TP-664) | Silver plating |
| ③ | Earth spring   | 1 | 1 | Phosphor bronze | PJ30330-01(JA-669) | Silver plating |
| ② | Cover          |   | 1 | PBT UL94 V-0    | PJ30330-S2(GZ-667) |                |
| ① | Housing        |   | 1 | PBT UL94 V-0    | PJ3033M-S1(ST-822) |                |

| NO.             | DESCRIPTION | QTY                | MATERIAL | PART NO.     | REMARK      |
|-----------------|-------------|--------------------|----------|--------------|-------------|
| UNIT:MM         |             |                    |          |              |             |
| TYPE:           |             | MODEL NO:          |          | PAPER NO: A4 | PAGE 1 OF 1 |
| φ3.5 PHONE JACK |             | PJ3033M- - - - -   |          | TOLERANCE    | ANGLES      |
| DESIGNER BY:    |             | Log.han 2010.05.04 |          | ±0.3         | ±2°         |
| CHECK BY:       |             |                    |          | SCALE        | VER         |
| APPROVED BY:    |             |                    |          | N/A          | 5           |

HDC有限公司