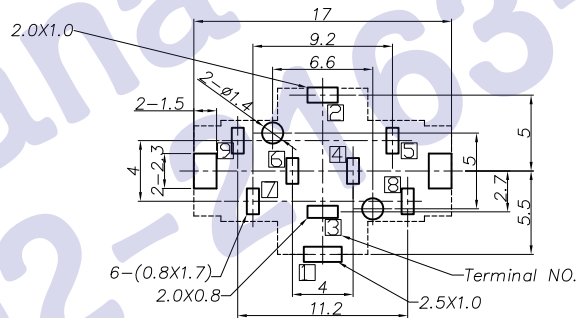
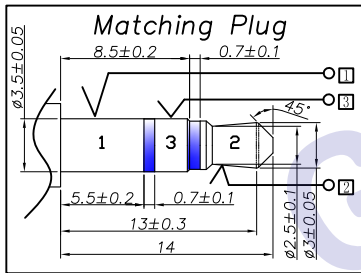
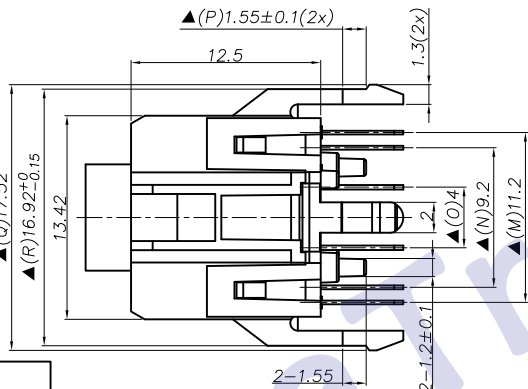
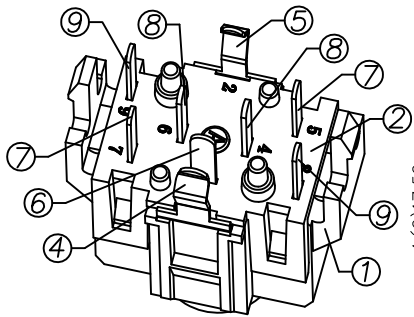
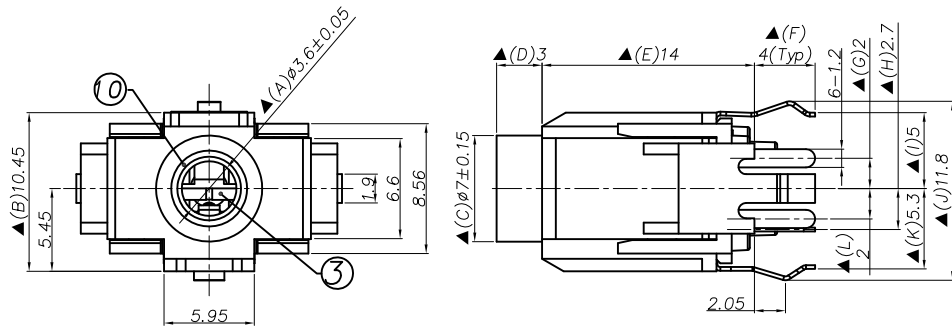


REV. LTR.	DESCRIPTION	SIGN	DATE
	New release	丁胜	2009.07.15
	Update drawing	丁胜	2010.11.02
	Update drawing	廖涛	2013.07.17



RECOMMENDED P.C.B. LAYOUT  
UNSPECIFIED TOLERANCE: ±0.05  
(COPPER-SIDED) VIEW

Model No.	PJ3034A-A	PJ3034A-B	PJ3034A-C	PJ3034A-D	PJ3034A-F
Schematic					
Model No.	PJ3034A-G	PJ3034A-H	PJ3034A-K	PJ3034A-L	PJ3034A-M
Schematic					
Model No.	PJ3034A-N	PJ3034A-W	PJ3034A-P	PJ3034A-S	PJ3034A-T
Schematic					
Model No.	PJ3034A-Q				
Schematic					

Ordering information:  
PJ3034A? PB0AS003  
(1) (2) (3)(4)(5)(6)(7)  
(1):Series No.  
(2):Schematic option:  
A?B?C?D?F?G?H?K  
L?M?N?W?P?S?T?Q  
(3):Material of housing  
PB=PBT  
(4):Housing color:  
Zero 0A=Black  
(5):Terminal plating:  
S=Silver(Ag)  
(6):Special option:  
00=No special option  
(7):Packing mode:  
3=Plastic box packing

- Specification:
- Rating ?DC 30V 0.5A?
  - Contact resistance? ≤30m??  
After test: ≤50m?
  - Insulation resistance??100M?(500VDC)?  
After test: ?50M?
  - Withstand voltage?500VAC ?
  - Insertion and extraction force?3N?30N?
  - life test?5000cycles min?
  - Operation temperature range? ?20
  - Preservation temperature range? ?40
  - Sign? "is importance dimension?

⑩	Bushing	1	Copper alloy	PJ3034A-88	Nickel Plating
⑨	Make terminal	2	Brass 0.25t	PJ30340-08	Silver Plating
⑧	Break terminal	2	Brass 0.3t	PJ30340-04	Silver Plating
⑦	Transfer spring	2	Phosphor bronze 0.25t	PJ30340-05	Silver Plating
⑥	Ring spring	1	Phosphor bronze 0.25t	PJ30340-03	Silver Plating
⑤	Tip spring	1	Phosphor bronze 0.25t	PJ30340-02	Silver Plating
④	Earth spring	1	Phosphor bronze 0.25t	PJ3034A-01	Silver Plating
③	Insulator	1	POM,UL 94HB	PJ30340-S4	White
②	Cover	1	POM,UL 94HB	PJ30340-S2	White
①	Housing	1	PBT,UL 94V-0	PJ3034A-S1	Black
NO.	DESCRIPTION	QTY	MATERIAL	PART NO.	REMARK

THIS DOCUMENT IS THE SOLE PROPERTY OF BSC ELECTRONICS CO., LTD. AND SHOULD NOT BE USED IN WHOLE OR IN PART WITHOUT PRIOR WRITTEN PERMISSION.	UNIT:MM	TOLERANCE	TYPE:	MODEL NO:	DRAWING TYPE:	
		DIMENSIONS	ANGLES	PJ3034A-_PB0AS003	CUSTOMER DRAWING	
		X ±0.50	X ±5°	∅3.5 PHONE JACK	DRAWING No:	SCALE:VER. PAGE
		XX ±0.30	.X ±3°		BSCR-0000-0144	N/A 01 1/1
	XXX ±0.15	.XX ±2°				
DESIGNER	BY:					
CHECK	BY:					
APPROVED	BY:					

HDC有限公司