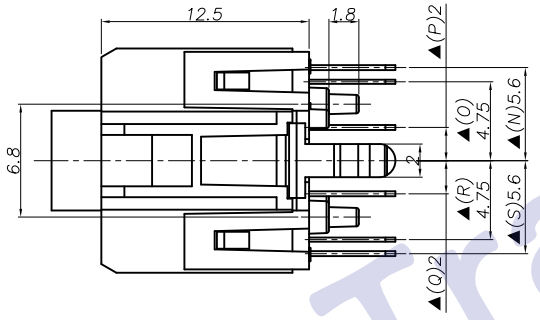
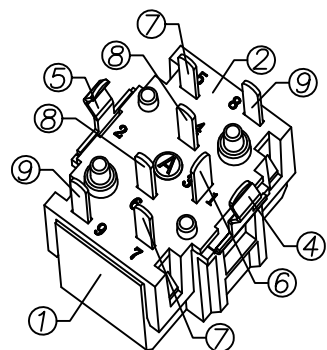
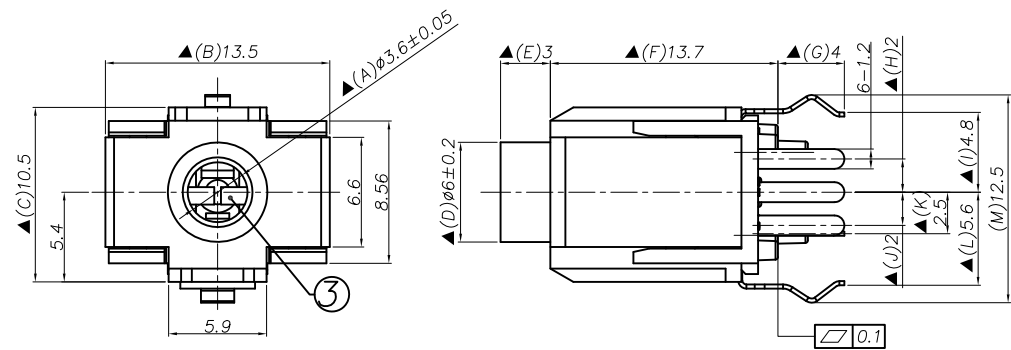
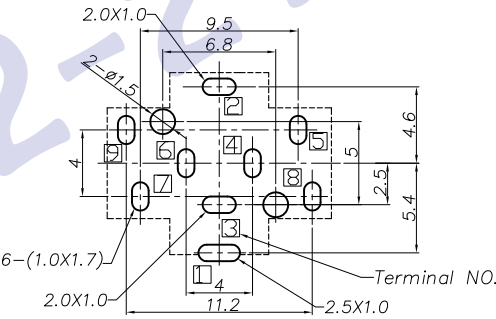
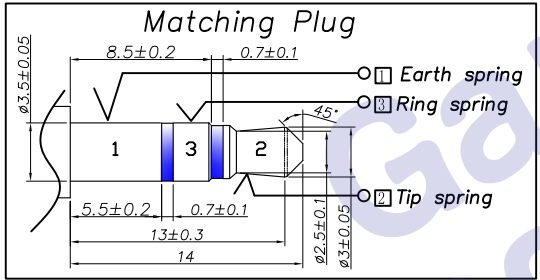


REV. LTR.	DESCRIPTION	SIGN	DATE



Model No.	PJ3034B-A	PJ3034B-B	PJ3034B-C	PJ3034B-D	PJ3034B-F
Schematic					
Model No.	PJ3034B-G	PJ3034B-H	PJ3034B-K	PJ3034B-L	PJ3034B-M
Schematic					
Model No.	PJ3034B-N	PJ3034B-W	PJ3034B-P	PJ3034B-S	PJ3034B-T
Schematic					
Model No.	PJ3034B-Q				
Schematic					

Ordering information:
PJ3034B? PB?? S003
 (1) (2) (3) (4) (5)(6)(7)
 (1):Series No.
 (2):Schematic option:
 A?B?C?D?F?G?H?K
 L?M?N?W?P?S?T?Q
 (3):Material of housing:
 PB=PBT
 (4):Housing color:
 Zero 0A=Black
 5G=Green(577C/0481)
 (5):Terminal plating:
 S=Silver(Ag)
 (6):Special option:
 00=No special option
 (7):Packing mode:
 3=Plastic box packing



- Specification:
- Rating ?DC 30V 0.5A?
 - Contact resistance? $\leq 30m\Omega$?
After test: $\leq 50m\Omega$?
 - Insulation resistance??100M?(500VDC)?
After test: 50M?
 - Withstand voltage?500VAC ?
 - Insertion and extraction force?3N?30N?
 - life test?5000cycles min?
 - Operation temperature range? -20 ~ 20
 - Preservation temperature range? -40 ~ 40
 - Sign? "is importance dimension?

9	Make terminal	9	8	2	Brass 0.25t	PJ30340-08	Silver plating
8	Break terminal	6	4	2	Brass 0.3t	PJ30340-04	Silver plating
7	Transfer spring	7	5	2	Phosphor bronze 0.25t	PJ30340-05	Silver plating
6	Ring spring	3		1	Phosphor bronze 0.25t	PJ30340-03	Silver plating
5	Tip spring	2		1	Phosphor bronze 0.25t	PJ3034B-02	Silver plating
4	Earth spring	1		1	Phosphor bronze 0.25t	PJ3034B-01	Silver plating
3	Insulator			1	POM,UL 94HB	PJ30340-S4	White
2	Cover			1	POM,UL 94HB	PJ30340-S2	White
1	Housing			1	PBT,UL 94V-0	PJ3034B-S1	Black

NO.	DESCRIPTION	QTY	MATERIAL	PART NO.	REMARK
UNIT:MM	TYPE:	MODEL NO:	PAPER NO: A4	PAGE 1 OF 1	
	$\phi 3.5$ PHONE JACK	PJ3034B-_PB_	TOLERANCE	ANGLES	SCALE
			± 0.3	$\pm 2^\circ$	N/A
					VER 0

DESIGNER BY: Michael 2010.11.12
 CHECK BY:
 APPROVED BY:

HDC有限公司