

REV. LTR.	DESCRIPTION	SIGN	DATE

A

B

C

D

E

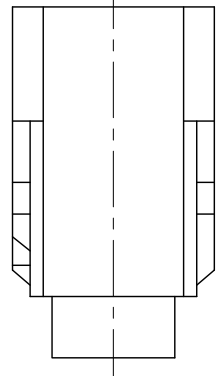
A

B

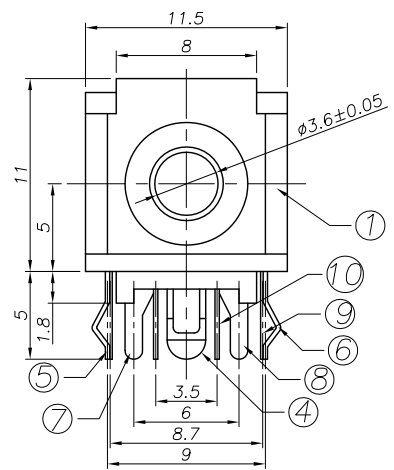
C

D

E



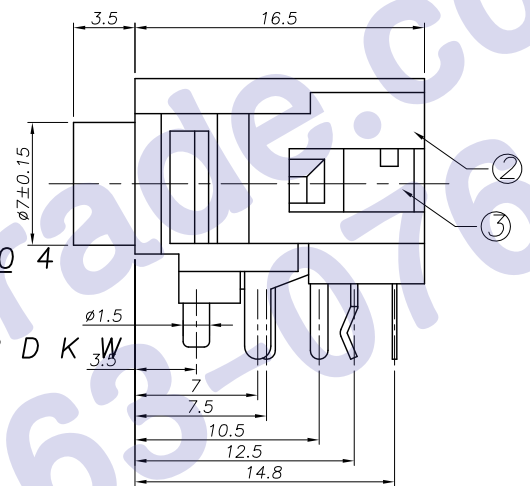
Model No.	PJ30360-A	PJ30360-B	PJ30360-D	PJ30360-K	PJ30360-W
Schematic					



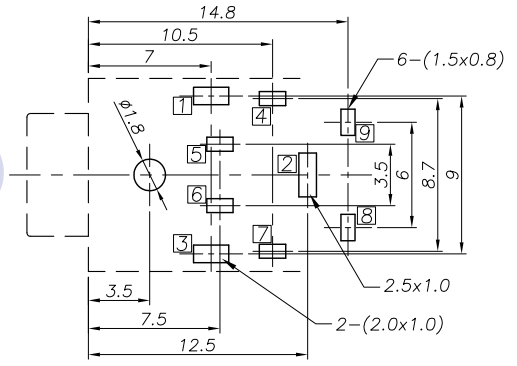
Ordering information:

PJ30360- ? PB OA S 00 4

- (1): Series No.
- (2): Schematic option: A B D K W
- (3): Material of housing:
PB=PBT (Only)
- (4): Housing color:
OA=Black (Standard)
2_=Red
3_=Orange
4_=Yellow
- (5): Terminal plating
6=Silver (Ag) (Standard)
T=Plating (White)
- (6): Special option
No Special option
- (7): Packing mode:
3: Plastic box packing
4: Bag packing



P.C.B Layout
(Copper-side view)



SPECIFICATION

- 1. Rating : DC 30V 0.5A ;
- 2. Contact resistance : $\leq 30m\Omega$;
- 3. Insulation resistance : $\geq 100M\Omega$ (DC250V) ;
- 4. Withstand voltage : 500VAC ;
- 5. Insertion and extraction force : 3-30N;
- 6. life test: 5,000 cycles .

⑩	Transfer terminal-2	5 6	2	Phosphor bronze	Ag-Plating
⑨	Break terminal-2	4 7	2	Brass	Ag-Plating
⑧	Transfer terminal-1	9	1	Phosphor bronze	Ag-Plating
⑦	Break terminal-1	8	1	Brass	Ag-Plating
⑥	Ring spring	3	1	Phosphor bronze	Ag-Plating
⑤	Tip spring	2	1	Phosphor bronze	Ag-Plating
④	Earth terminal	1	1	Phosphor bronze	Ag-Plating
③	Dielectric		2	POM	
②	Cover		1	POM	
①	Housing		1	PBT	
NO.	DESCRIPTION	QTY	MATERIAL	PLATING	

UNIT:MM	TYPE:	MODEL NO:	PAPER NO: A4	PAGE 1 OF 1	
	ø3.5 PHONE JACK	PJ30360-PB0AS004	TOLERANCE	ANGLES	SCALE VER
DESIGNER BY:	Zhuhong 2008/11/11		±0.3	±2°	1:1 2
CHECK BY:			HDC有限公司		
APPROVED BY:					