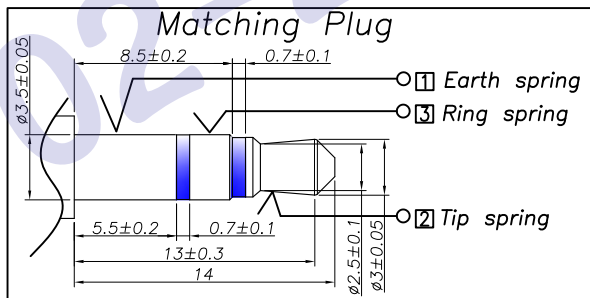
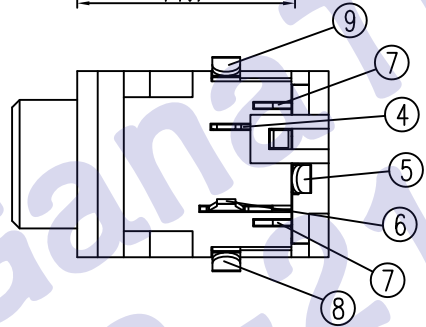
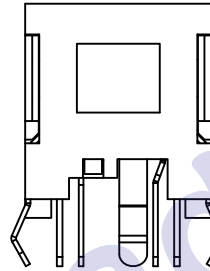
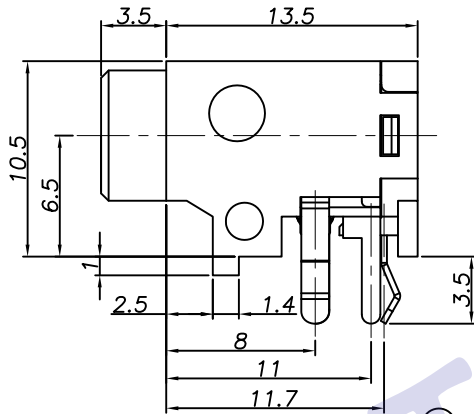
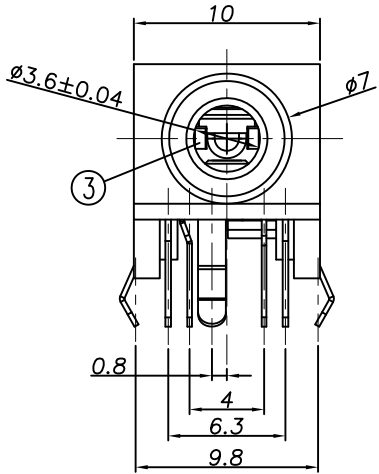
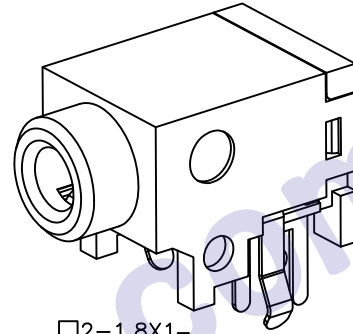


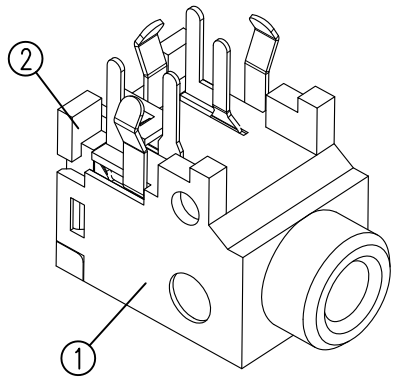
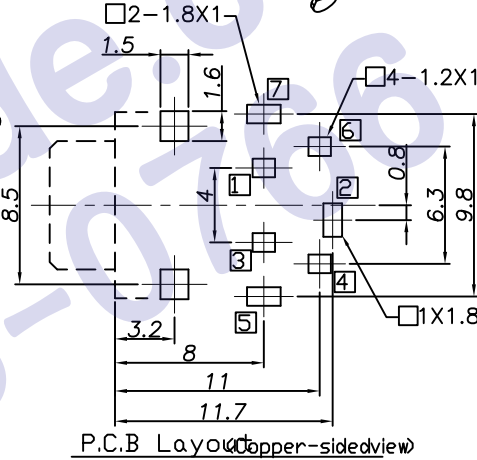
□:Terminal NO. ○:Item No.



REV. LTR.	DESCRIPTION	SIGN	DATE



Ordering information:
 PJ30390 - ? ?? ? ?? ? ??
 ? ? ? ? ? ? ? ?
 ? :Series No: PJ30390
 ? :Schematic option: B, K, W, D
 ? :Material of housing:
 PB=PBT(Standard)
 PC=PC
 ? :Bushing or Housing color:
 0A=Black 2_=Red 3_=Orange
 Zero 4_=Yellow 5_=Green 6_=Blue
 ? :Terminal plating
 S=Silver(Ag)(Standard)
 T=Tin(Sn)
 ? :Special option:
 00=No special option
 ? :Packing mode:
 3=Plastic box packing
 4=Bag packing



SPECIFICATION

1. Rating ? DC 30V 0.5A?
2. Contact resistance ≤50m?
3. Insulation resistance ≥100M? (DC250V)?
4. Withstand voltage ≥500VAC ?
5. Insertion and extraction ? @ 30N;
6. life test ≥5,000 cycles

9	Transfer spring 7	1	Phosphor bronze t=0.25	PJ30390-09	Silver(Ag) Plating
8	Transfer spring 5	1	Phosphor bronze t=0.25	PJ30390-05	Silver(Ag) Plating
7	Make terminal 4,6	2	Brass t=0.3	PJ30390-04	Silver(Ag) Plating
6	Ring spring 3	1	Phosphor bronze t=0.25	PJ30390-03	Silver(Ag) Plating
5	Tip spring 2	1	Phosphor bronze t=0.3	PJ30390-02	Silver(Ag) Plating
4	Earth spring 1	1	Phosphor bronze t=0.25	PJ30390-01	Silver(Ag) Plating
3	Insulator	1	POM,UL-94HB	PJ30390-S4	
2	Cover	1	PBT,UL-94V-0	PJ30390-S2	
1	Housing	1	PBT,UL-94V-0	PJ30390-S1	

ITEM NO.	DESCRIPTION	QTY	MATERIAL	PART NO.	PLATING
UNIT:MM	TYPE:	MODEL NO:	PAPER NO: A4	PAGE 1 OF 1	
	∅3.5 PHONE JACK	PJ30390- _ PB_ _ S00_	TOLERANCE	ANGLES	SCALE
			±0.3	±2°	FULL
			VER	01	

DESIGNER BY: YUJUN 2008.09.10
 CHECK BY:
 APPROVED BY:

HDC有限公司