

REV. LTR.

DESCRIPTION

SIGN

DATE

△ X 1

Change nut

jp.K

2011.05.05

Ordering information:

PJ30410 PB?? S□□4

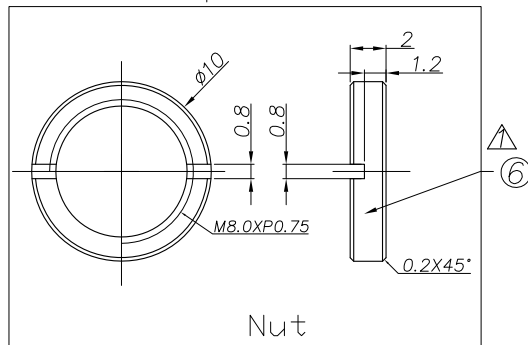
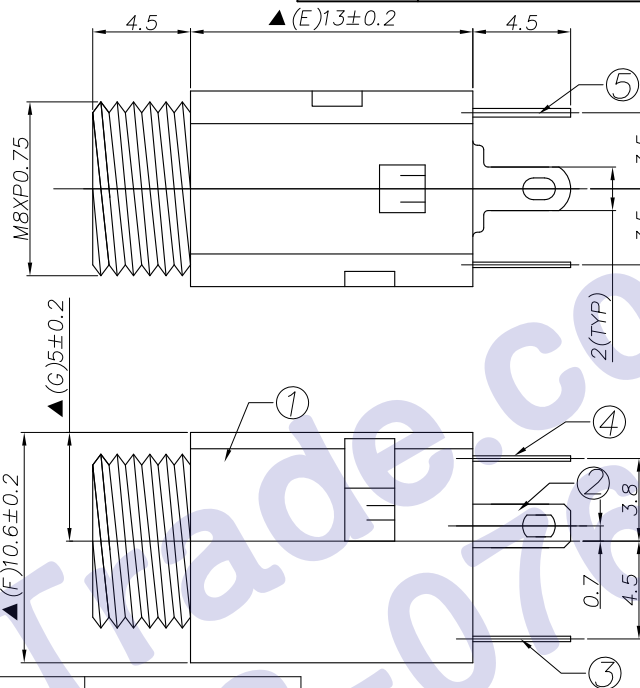
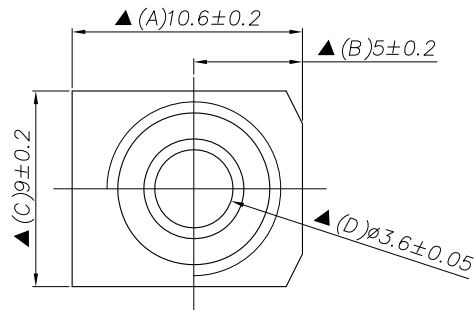
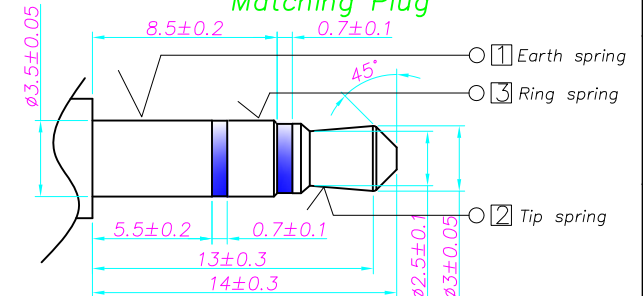
(1) (2) (3) (4) (5)(6)(7)

(1):Series No

(2):Schematic option:B,C,D,E

(3):Material of housing:
PB=PBT(4):Housing color:
0A=Black(5):Terminal plating
S=Silver(Ag)(standard)(6):Special option:
00=No special option(7):Packing mode
4=Bag packing

Matching Plug



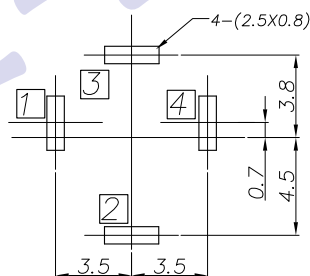
Nut

Model NO.	PJ30410-B	PJ30410-C	PJ30410-D	PJ30410-E
Schematic				

□: TERMINAL NO.

Specification:

- Rating : DC 30V 0.5A;
- Contact resistance: $\leq 30m\Omega$;
After test: $\leq 50m\Omega$
- Insulation resistance: $\geq 100M\Omega$ (500VDC);
After test: $\geq 50M\Omega$
- Withstanding voltage: 500VAC ;
- Insertion and extraction force: 3N~30N;
- life test: 5000cycles min;
- Operation temperature range:-20°C~70°C
- Preservative temperature range:-40°C~85°C
- Sign"▲" is importance dimension



RECOMMENDED P. C. B. LAYOUT
UNSPECIFIED TOLERANCE: ± 0.05
(COPPER-SIDED VIEW)

6	Nut	1	Copper alloy	PJ30410-77	Nickel plating
5	Shunt terminal	4	Brass t0.4	PJ30410-04(WP-JK0019)	Silver plating
4	Ring spring	3	Phosphor bronze t0.3	PJ30410-03(JA-JK0069)	Silver plating
3	Tip spring	2	Phosphor bronze t0.25	PJ30410-02(TP-JK0045)	Silver plating
2	Earth spring	1	Phosphor bronze t0.25	PJ30410-01(JA-JK0070)	Silver plating
1	Housing	1	PBT UL 94V-0	PJ30410-S1(ST-JK0040)	Black

NO.	DESCRIPTION	QTY	MATERIAL	PART NO.	REMARK
UNIT:MM	TYPE:	MODEL NO.:	PAPER NO: A4	PAGE 1 OF 1	
		φ3.5 PHONE JACK PJ30410-_PB_	TOLERANCE	ANGLES	SCALE VER
			±0.3	±2°	FULL 9

DESIGNER BY: jp.k 2011.5.5

CHECK BY:

APPROVED BY:

HDC有限公司