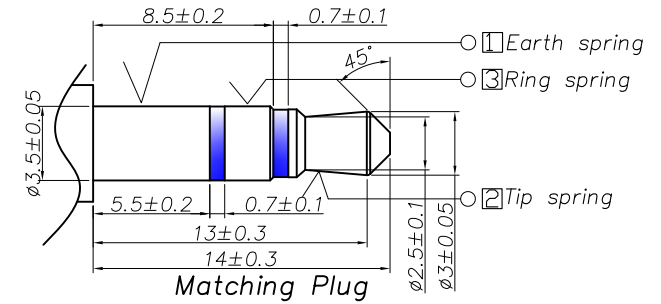
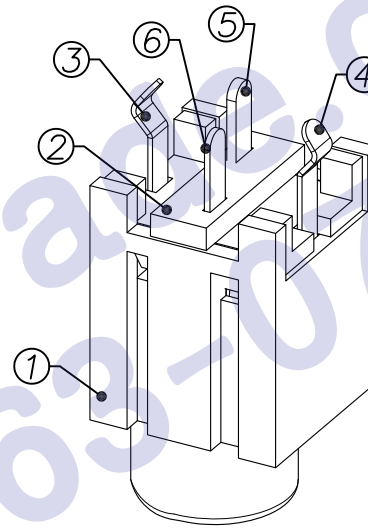


RECOMMENDED P. C. B. LAYOUT  
UNSPECIFIED TOLERANCE: ±0.05  
(BOTTOM VIEW)



REV	QTY	ECN. NO.	REASON&CONTENTS	SIGN	DATE
1	2		Modify the dimension	PLUCY	2009.3.30
			Update drawing	PD X	2011.07.05
2	2		Add housing color 5V=0012, 2R=0016	REUCY	2012-07-14

Ordering information:

PJ30420? ?? 0AS 00 ?  
? ? ? ? ? ?

- ? : Series No.
- ? : Schematic option: B C D E
- ? : Material of housing:  
PB=PBT 9T=PA9T 66=PA66
- ? : Bushing or Housing color: 0A=Black  
5V=0012(Green) 2R=0016(Red)
- ? : Terminal plating: S=Silver(Ag)
- ? : Special option:  
00: No special option
- ? : Packing mode:  
4=Bag packing  
5=Plastic tube packing

Model No.	PJ30420	BPJ30420	CPJ30420	DPJ30420
Schematic				

□ Terminal No.

Specification:

- Rating ?DC 30V 0.5A.
- Contact resistance? ≤30mΩ  
After test: ≤50mΩ
- Insulation resistance??100M? (500VDC).  
After test: ?50M?
- Withstanding voltage?500VAC.
- Insertion and extraction force? ≤3N
- Life test?5000cycles min.
- Operation temperature range? -20~85
- Preservative temperature range: -40~85
- Sign"? "is importance dimension.

ITEM	DESCRIPTION	QTY	MATERIAL	PART NO.	REMARK
6	Shunt terminal	1	Brass t0.4	PJ30420-04(PP-816)	Silver plating
5	Ring spring	1	Phosphor bronze t0.5	PJ30420-03(PP-JK0009)	Silver plating
4	Tip spring	1	Phosphor bronze t0.25	PJ30420-02(TP-JK0041)	Silver plating
3	Earth spring	1	Phosphor bronze t0.25	PJ30420-01(JA-JK0071)	Silver plating
2	Cover	1	PBT/PA9T	PJ30420-S2(GZ-JK0010)	
1	Housing	1	PBT/PA9T/PA66	PJ30420-S1	

UNIT:MM	TOLERANCE	TYPE:	MODEL NO:	DRAWING TYPE:		
	DIMENSIONS ANGLES	3.5 PHONE JACK 030	PJ30420-_-_-_- CUSTOMER DRAWING	800		
	X ±0.50 X ±5°				DRAWING No: BSCR-0000-****	SCALE:VER. PAGE N/A 02 1/1
	XX ±0.30 .X ±3° XXX ±0.15 .XX ±2°					
DESIGNER	PLUCY	2012-07-14	<b>HDC有限公司</b>			
CHECK	By Matt	2012-07-14				
APPROVED	By gg	2012-07-14				

THIS DOCUMENT IS THE SOLE PROPERTY OF BUS ELECTRONICS CO., LTD. AND SHOULD NOT BE LOANED, COPIED, REPRODUCED OR IN PART WITHOUT PRIOR WRITTEN PERMISSION.