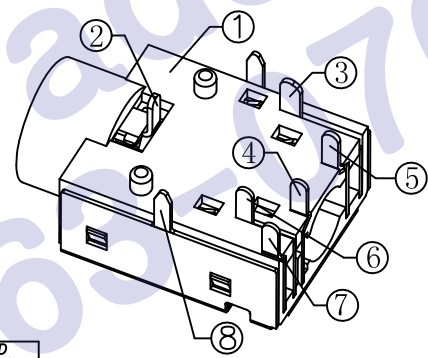
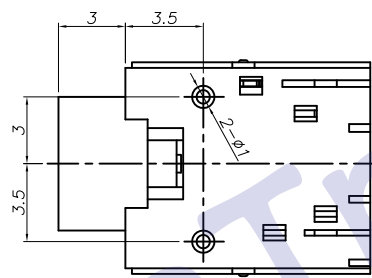
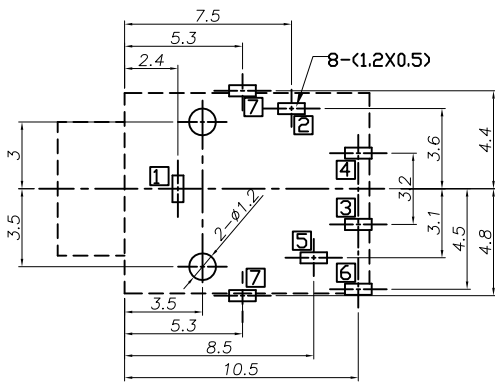
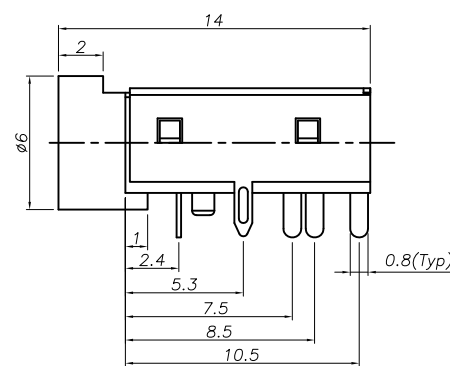
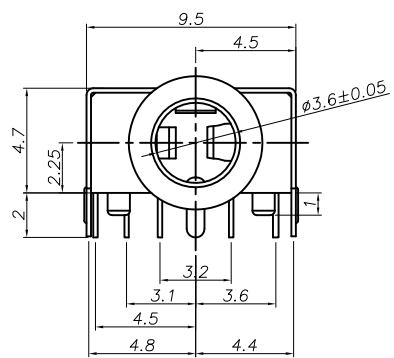


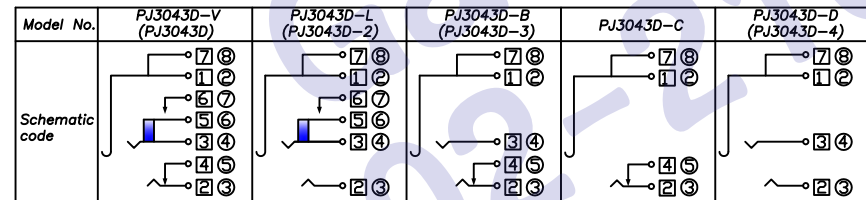
REV. LTR.	DESCRIPTION	SIGN	DATE
△	Part No. changed	Michael	2008.10.16



Ordering information:
 PJ3043D? ?? ?? ? ?? ?
 (1) (2) (3) (4) (5) (6) (7)

(1):Series No.
 (2):Schematic option:V?L?B?C?D
 (3):Material of housing:
 PB=PBT=PA9T
 (4):Bushing or Housing color:
 0A=Black 2_=Red 3_=Orange
 Zero 4_=Yellow 5_=Green 6_=Blue
 (5):Terminal plating
 S:Silver(Ag) T:Tin(Sn)
 (6):Special option:
 00:No special option
 (7):Packing mode:
 1:Tape reel packing
 3:Plastic box packing
 4:Bag packing

P.C.B Layout
(Copper-side view)



Circuit Diagram □ Terminal No. ○ Item No.

SPECIFICATION

- 1.Rating ? DC 30V 0.5A?
- 2.Contact resistance ≤50m? ?
- 3.Insulation resistance ≥100M? (DC250V)?
- 4.Withstand voltage ≥500VAC ?
- 5.Insertion and extraction force ≤30N;
- 6.life test 5000 cycles

NO.	DESCRIPTION	QTY	MATERIAL	PART NO.	PLATING
⑧	Shell	1	Bronze t=0.2	PJ3043D-W1	Ni-Plating
⑦	Make terminal	1	Bronze t=0.2	PJ30430-06	Ag-Plating
⑥	Transfer terminal	1	SUS301 t=0.2	PJ30430-05	Ag-Plating
⑤	Shunt terminal	1	Brass t=0.25	PJ30430-04	Ag-Plating
④	Ring spring	1	SUS301 t=0.2	PJ30430-03	Ag-Plating
③	Tip spring	1	Bronze t=0.25	PJ30430-02	Ag-Plating
②	Earth spring	1	Bronze t=0.2	PJ30430-01	Ag-Plating
①	Housing	1	PBT/PA9T	PJ30430-S1	

UNIT:MM	TYPE:	MODEL NO:	PAPER NO: A4	PAGE 1 OF 1
	∅3.5 PHONE JACK	PJ3043D-_PB_ _S004	TOLERANCE	ANGLES
			±0.3	±2°
			SCALE	VER
			FULL	2

DESIGNER BY:	Michael 2008.10.16	HDC有限公司
CHECK BY:		
APPROVED BY:		