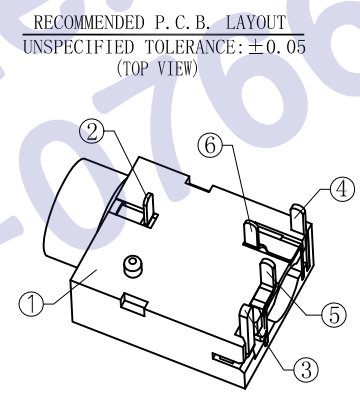
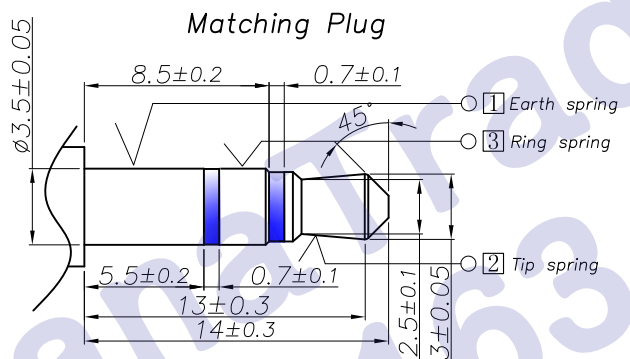
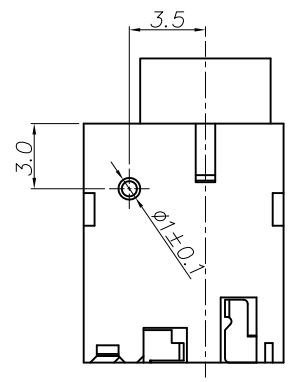
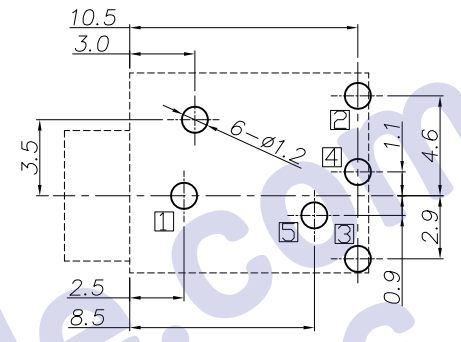
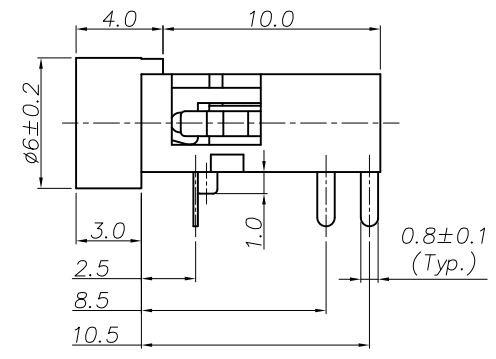
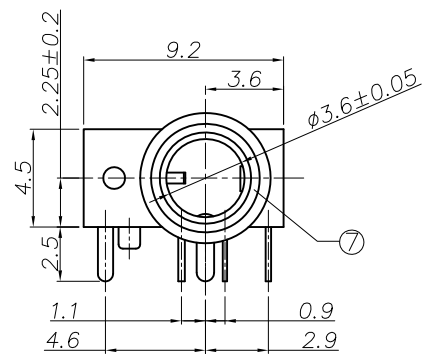


REV.	Q'TY	ECN. NO.	REASON&CONTENTS	SIGN	DATE
07			Update drawing	Bull.pan	2011.09.20



Ordering information:
PJ30520 - □ PB □ □ S 00 4
 (1) (2) (3) (4) (5) (6) (7)
 (1): Series No.
 (2): Schematic option: A, B, C, D
 (3): Material of housing:
 PB=PBT
 (4): Housing color:
 0A=Black (Standard)
 2L=Red (701C/0445=PBT)
 5G=Green (577C/0446=PBT)
 6A=Blue (284C/0448=PBT)
 (5): Terminal plating:
 S=Silver (Ag) (Standard)
 (6): Special option:
 00=No special option
 (7): Packing mode:
 4=Bag packing

Model No.	PJ30520-A	PJ30520-B	PJ30520-C	PJ30520-D
Schematic				

Circuit Diagram □: Terminal No.

NO.	DESCRIPTION	QTY	MATERIAL	PART NO.	REMARK
⑦	Bushing	1	Copper alloy	PJ30520-88	Nickel plating
⑥	Shunt terminal	5	Copper alloy	PJ30520-05	Silver plating
⑤	Shunt terminal	4	Copper alloy	PJ30520-04	Silver plating
④	Ring spring	3	Copper alloy	PJ30520-03	Silver plating
③	Tip spring	2	Copper alloy	PJ30520-02	Silver plating
②	Earth spring	1	Copper alloy	PJ30520-01	Silver plating
①	Housing	1	Engineering thermoplastic	PJ30520-S1	

Specification:
 1. Rating : DC 30V 0.5A.
 2. Contact resistance: ≤30mΩ.
 After life test: ≤50mΩ.
 3. Insulation resistance: ≥100MΩ (500VDC).
 After life test: ≥50MΩ.
 4. Withstand voltage: 500VAC.
 5. Insertion and extraction force: 3N~30N.
 6. life test: 5000cycles min.
 7. Operation temperature range: -20℃~70℃.
 8. Preservative temperature range: -40℃~85℃.

THIS DOCUMENT IS THE SOLE PROPERTY OF BSM ELECTRONICS CO., LTD. AND SHOULD NOT BE USED IN WHOLE OR IN PART WITHOUT PRIOR WRITTEN PERMISSION.	UNIT:MM	TOLERANCE	TYPE:	MODEL NO:	DRAWING TYPE:	
		DIMENSIONS	ANGLES	PJ30520-__PB__S004	CUSTOMER DRAWING	
		X ±0.50	X ±3.0°	ø3.5 PHONE JACK	DRAWING No:	SCALE
		XX ±0.30	.X ±1.5°		BSCR-0000-0017	VER.:
	XXX±0.15	.XX ±1.0°		PAGE:		
DESIGNER BY:	Bull.pan 2011.09.20		HDC有限公司			
CHECK BY:	Ocean 2011.09.20					
APPROVED BY:	Jiguoguang 2011.09.20					