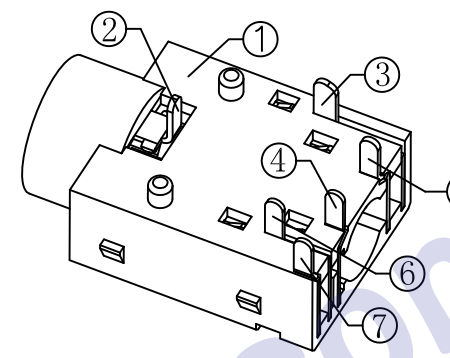
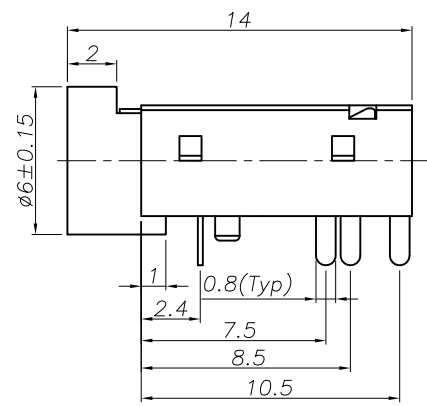
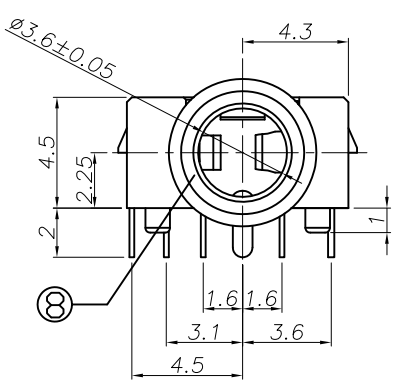
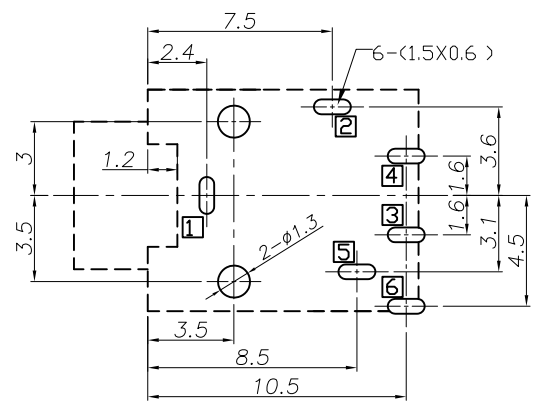


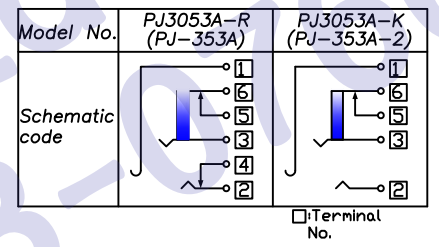
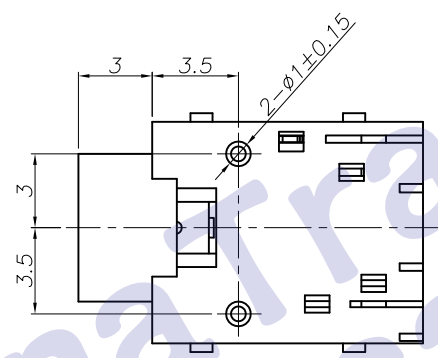
REV.	Q'TY	ECN. NO.	REASON&CONTENTS	SIGN	DATE



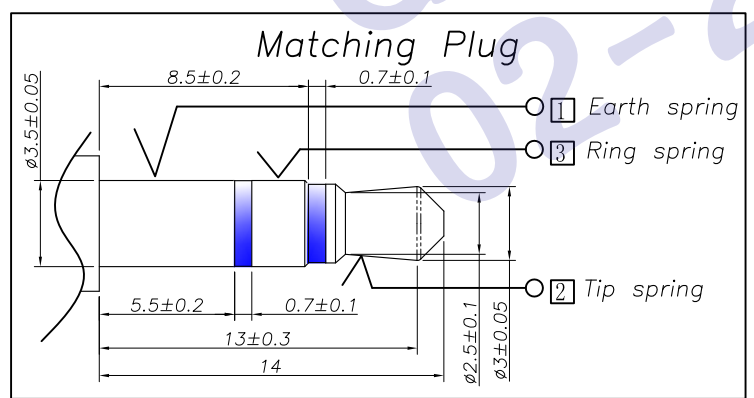
Ordering information:
 PJ3053A? ?? ?? S003
 (1) (2) (3)(4) (5)(6)(7)
 (1):Series No.
 (2):Schematic option:R?K
 (3):Material of housing:
 PB=PBT 9T=PA9T
 (4):Housing color:
 0A=Black 2P=Red(0222)
 Zero 5G=Green(0221)
 (5):Terminal plating
 S:Silver(Ag)
 (6):Special option:
 00:No special option
 (7):Packing mode:
 3:Plastic box packing



P.C.B Layout
(Copper-sided view)



Specification:
 1.Rating ?DC 30V 0.5A?
 2.Contact resistance?≤50m??
 After test:≤100m?
 3.Insulation resistance??100M?(500VDC)?
 After test:50M?
 4.Withstand voltage?500VAC ?
 5.Insertion and extraction force?3N?30N?
 6.life test?5000cycles min?
 7.Operation temperature range: -20??70??
 8.Preservation temperature range: -40??85??



⑧	Brush	1	Copper Alloy	PJ3053A-88	Nickel plating
⑦	Transfeter terminal	1	Copper Alloy	PJ3053-06	Silver plating
⑥	Breaker terminal	1	Copper Alloy	PJ3053-05	Silver plating
⑤	Shunt terminal	1	Copper Alloy	PJ3053-04	Silver plating
④	Ring spring	1	Tainless steel	PJ3053-03	Silver plating
③	Tip spring	1	Copper Alloy	PJ3053-02	Silver plating
②	Earth spring	1	Copper Alloy	PJ3053-01	Silver plating
①	Housing	1	See P/N info	PJ3053A-S1	Black
NO	DESCRIPTION	Q'TY	MATERIAL	PART NO.	REMARK

THIS DOCUMENT IS THE SOLE PROPERTY OF BSC ELECTRONICS CO., LTD. AND SHOULD NOT BE REPRODUCED OR IN PART WITHOUT PRIOR WRITTEN PERMISSION.	UNIT:MM	TOLERANCE	TYPE:	MODEL NO:	DRAWING TYPE:
		DIMENSIONS: X ±0.50, XX ±0.30, XXX ±0.15 ANGLES: X ±5°, X ±3°, XX ±2°	φ3.5 PHONE JACK	PJ3053A- - - - -	CUSTOMER DRAWING
	DESIGNER BMei 2012.12.8	CHECK BY Chen 2012.12.8	APPROVED BY gg 2012.12.8	DRAWING No: BSCR-0000-	SCALE:VER. PAGE: N/A 01 1/1

HDC有限公司