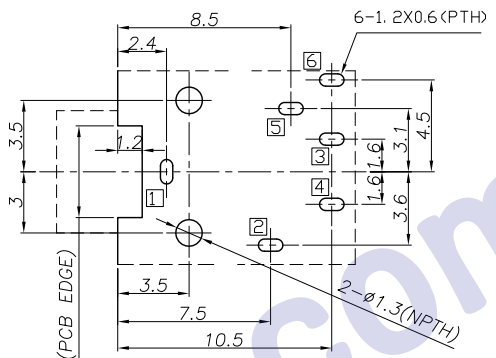
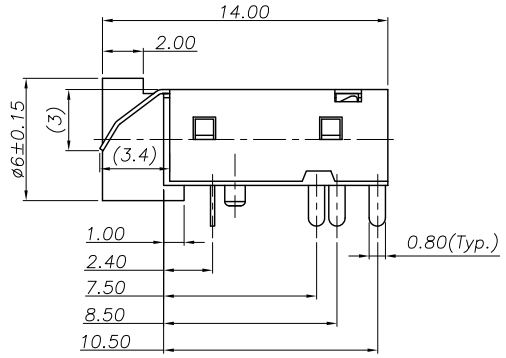
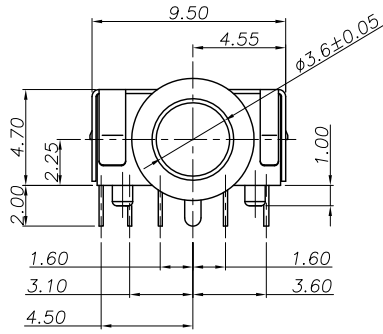
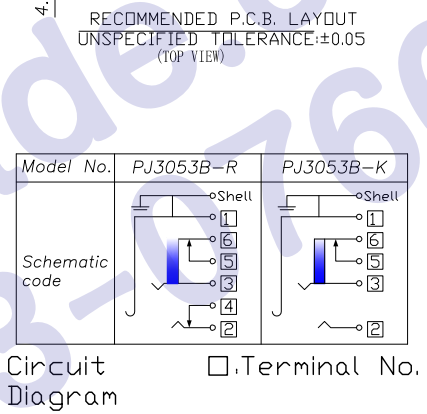
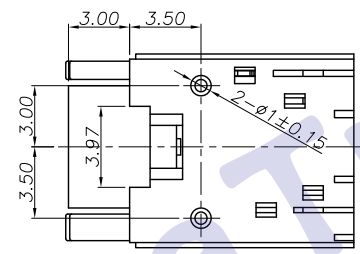
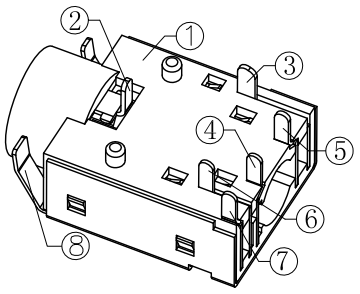


REV.	Q'TY	ECN. NO.	REASON&CONTENTS	SIGN	DATE
02			Update drawing	Bull.pan	2011.10.26

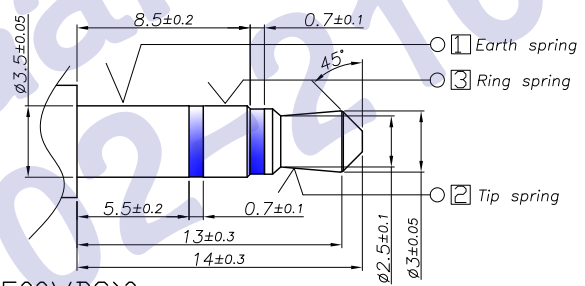


Ordering information:
 PJ3053B? ?? ?? S 00 ?
 (1) (2) (3) (4) (5)(6) (7)

(1):Series No.
 (2):Schematic option:R,K
 (3):Material of housing:
 9T=PA9T PB=PBT
 (4):Housing color:
 0A=Black
 2L=Red(701C/0405=PA9T)
 5G=Green(577C/0406=PA9T)
 2A=Red(0384=PBT)
 5P=Green(0386=PBT)
 6C=Blue(0385=PBT)
 (5):Terminal plating:
 S=Silver(Ag)
 (6):Special option:
 00=No special option
 (7):Packing mode:
 1=Tape reel packing
 4=Bag packing



Matching Plug



Specification:
 1.Rating ?DC 30V 0.5A?
 2.Contact resistance?≤50m??
 After test:≤100m??
 3.Insulation resistance??100M?(500VDC)?
 After test:750M?
 4.Withstand voltage?500VAC ?
 5.Insertion and extraction force?3N?30N?
 6.life test?5000cycles min?
 7.Operation temperature range?0?~20
 8.Preservation temperature range?5?~40

⑧ Shell	1	Stainless stell	PJ3043B-W1	Nickel plating
⑦ Transfer terminal	⑥	Copper Alloy	PJ30530-06	Silver plating
⑥ Break terminal	⑤	Copper Alloy	PJ30530-05	Silver plating
⑤ Shunt terminal	④	Copper Alloy	PJ30430-04	Silver plating
④ Ring spring	③	Stainless stell	PJ30430-03	Silver plating
③ Tip spring	②	Copper Alloy	PJ30430-02	Silver plating
② Earth spring	①	Copper Alloy	PJ30430-01	Silver plating
① Housing	1	Hi-Tem. Thermoplastic	PJ30430-S1	

THIS DOCUMENT IS THE SOLE PROPERTY OF BSM ELECTRONICS CO., LTD. AND SHOULD NOT BE USED IN WHOLE OR IN PART WITHOUT PRIOR WRITTEN PERMISSION.	UNIT:MM	TOLERANCE	TYPE:	MODEL NO:	DRAWING TYPE:	
		DIMENSIONS	ANGLES	PJ3053B-_-_-_-S00_	CUSTOMER DRAWING	
		X ±0.50	X ±5°	0.35 PHONE JACK	DRAWING No:	SCALE: VER.: PAGE:
		XX ±0.30	.X ±3°		BSCR-0000-0041	N/A 02 1/1
	XXX±0.15	.XX ±2°	DESIGNER BY: Bull.pan 2011.10.26	HDC有限公司		
			CHECK BY: Ocean 2011.10.26			
			APPROVED BY: Jiguoguang			