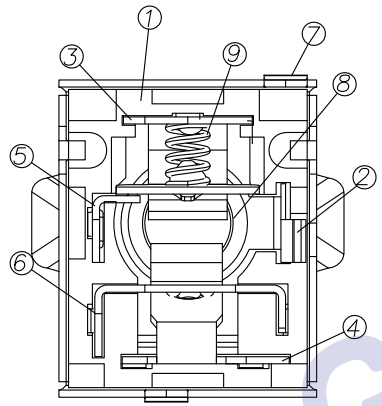
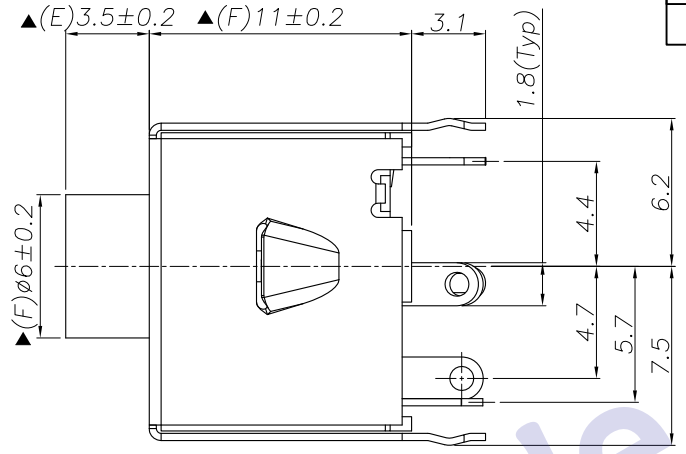
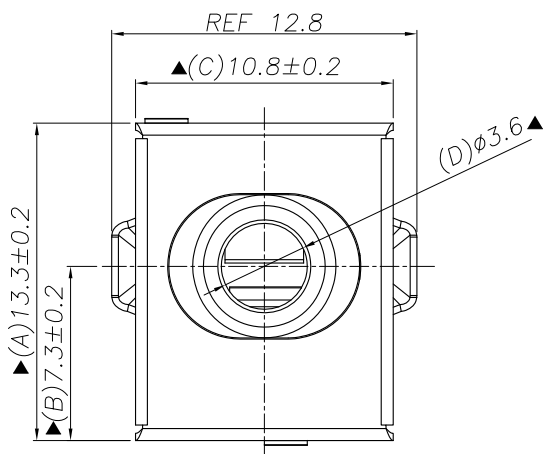


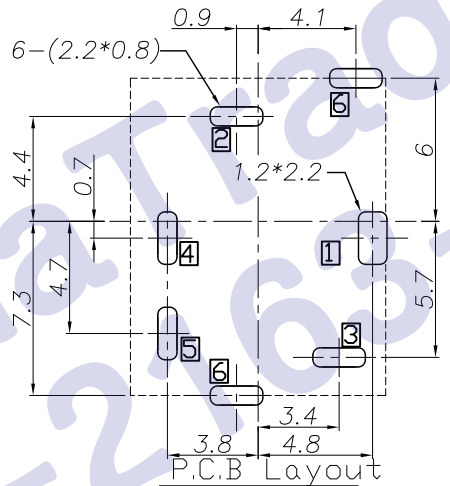
REV.	LTR.	DESCRIPTION	SIGN	DATE
3	X1	CHANGE MATERIAL	CHENBIN	2010.04.13
3		Fixed drawing	Matt	2012.12.10

Ordering information:
 PJ30540 PB?? S004
 (1) (2) (3) (4) (5) (6) (7)

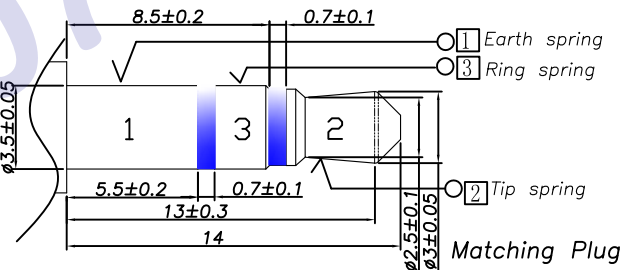
(1) Series No
 (2) Schematic option: B, D
 (3) Material of housing: PB=PBT
 (4) Housing color: 0A=Black
 1A=Brown (0256) 2R=Red (0046)
 5F=Green (0389) 6A=Blue (0011)
 9A=White (0100)
 (5) Terminal plating:
 S=Silver (Ag)
 (6) Special option:
 00=No special option
 (7) Packing mode: 4=Bag packing



Bottom view



P.C.B Layout
(Copper-sided view)



Matching Plug

Specification:
 1. Rating ?DC 30V 0.5A?
 2. Contact resistance? ≤30m??
 After test: ≤50m?
 3. Insulation resistance?? 100M? (250VDC)?
 After test: 50M?
 4. Withstand voltage? 500VAC ?
 5. Insertion and extraction force? 3N
 6. Life test? 5000 cycles min?
 7. Operation temperature range? -20
 8. Preservative temperature range? -40
 Sign? "is importance dimension?"

Model No.	PJ30540-A (PJ-354)	PJ30540-B (PJ-354-1)
Schematic		
Model No.	PJ30540-D (PJ-354-2)	
Schematic		

NO.	DESCRIPTION	QTY	MATERIAL	PART NO.	PLATING
9	Spring	2	Stainless steel		Material
8	Bushing	1	Brass	PJ30540-88(ZT-743)	Ni 50u"
7	Metal cover	1	Brass 0.3t	PJ30540-06(WK-748)	Ni 50u"
6	Shunt terminal	1	Brass 0.3t	PJ30540-05(WP-744)	
5	Ring spring	1	Brass 0.3t	PJ30540-04(WP-745)	Silver 20u";
4	Ring spring	1	Phosphor bronze 0.3t	PJ30540-03(TP-746)	Ni 50u"
3	Tip spring	1	Phosphor bronze 0.3t	PJ30540-02(TP-747)	underplated
2	Earth spring	1	Brass 0.3t	PJ30540-01(JA-749)	
1	Housing	1	PBT	PJ30540-S1(ST-742)	

UNIT:MM	TOLERANCE	TYPE:	MODEL NO:	DRAWING TYPE:
	DIMENSIONS	φ3.5 PHONE JACK	PJ30540-PB__S004	CUSTOMER DRAWING
	ANGLES			
	X ±0.50 X ±5° XX ±0.30 .X ±3° XXX ±0.15 .XX ±2°			
DESIGNER	BY: Matt 2012.12.11			
CHECK	BY: BF 2012.12.11			
APPROVED	BY: JI 2012.12.11			

HDC有限公司