

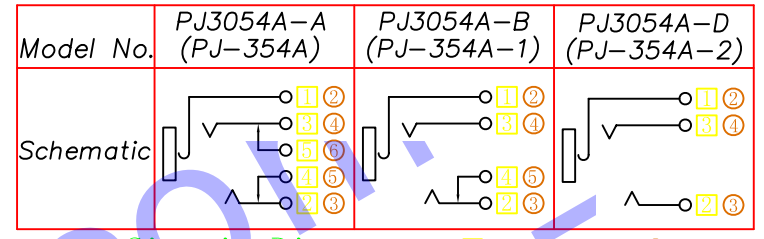
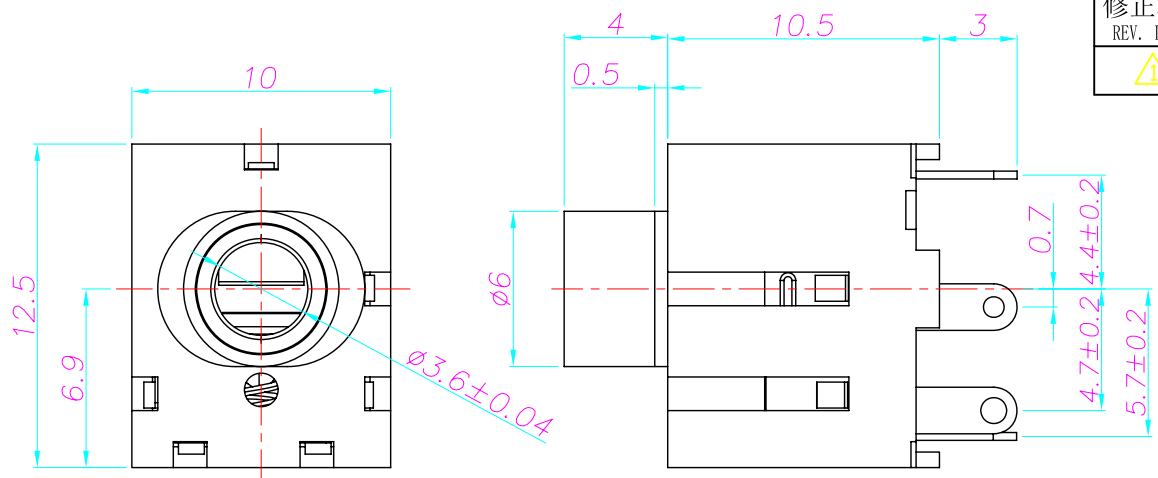
修正标记  
REV. LTR.

描述  
DESCRIPTION

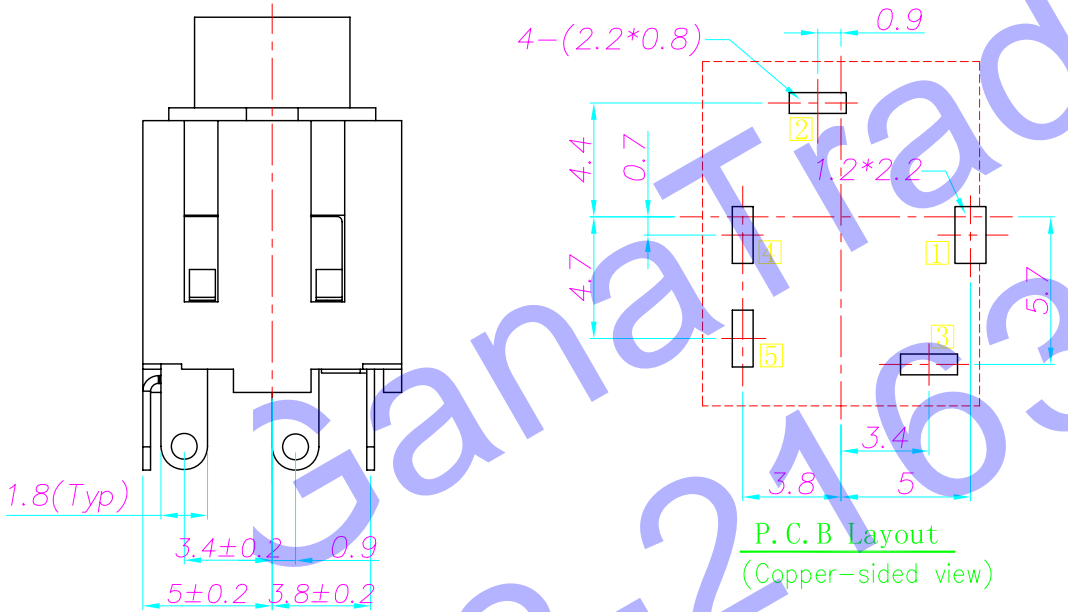
签名  
SIGN

日期  
DATE

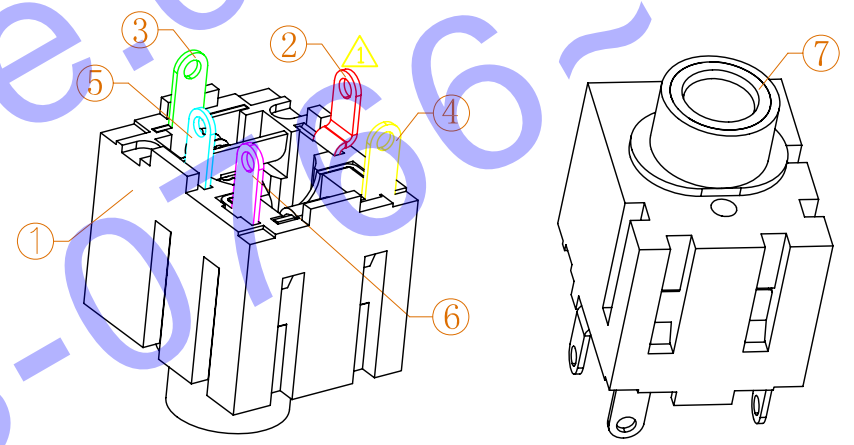
⚠ 插PCB板歪斜, 变更1#接地脚结构 Michael 2008.04.08



Circuit Diagram □: Terminal No. ○: Item No.



P. C. B Layout  
(Copper-sided view)



**SPECIFICATION**

- Rating : DC 30V 0.5A;
- Contact resistance:  $\leq 50m\Omega$ ;
- Insulation resistance:  $\geq 100M\Omega$  (DC250V);
- Withstand voltage: 500VAC ;
- Insertion and extraction force: 3-30N;
- life test: 5000 cycles.

|                  |   |                 |                    |            |
|------------------|---|-----------------|--------------------|------------|
| ⑧ Spring         | 2 | Stainless steel | PJ30540-66(TH-750) | Ni-Plating |
| ⑦ Metal ring     | 1 | Brass           | PJ30540-88(ZT-743) | Ni-Plating |
| ⑥ Shunt terminal | 1 | Brass t=0.3     | PJ30540-05(WP-744) | Ag-Plating |
| ⑤ Shunt terminal | 1 | Brass t=0.3     | PJ30540-04(WP-745) | Ag-Plating |
| ④ Ring spring    | 1 | Bronze t=0.3    | PJ30540-03(TP-746) | Ag-Plating |
| ③ Tip spring     | 1 | Bronze t=0.3    | PJ30540-02(TP-747) | Ag-Plating |
| ② Earth spring   | 1 | Brass t=0.3     | PJ30540-01(JA-749) | Ag-Plating |
| ① Housing        | 1 | PBT,UL94 V-0    | PJ30540-S1(ST-742) |            |

| NO.     | DESCRIPTION           | QTY       | MATERIAL     | PART NO.    | PLATING   |
|---------|-----------------------|-----------|--------------|-------------|-----------|
| UNIT:MM | TYPE:                 | MODEL NO: | PAPER NO: A4 | PAGE 1 OF 1 |           |
|         | $\phi 3.5$ PHONE JACK | PJ3054A-- | TOLERANCE    | ANGLES      | SCALE VER |
|         |                       |           | $\pm 0.3$    | $\pm 2'$    | FULL 2    |

DESIGNER BY: Michael 2008.05.03  
 CHECK BY:  
 APPROVED BY:

**H D C 有限公司**