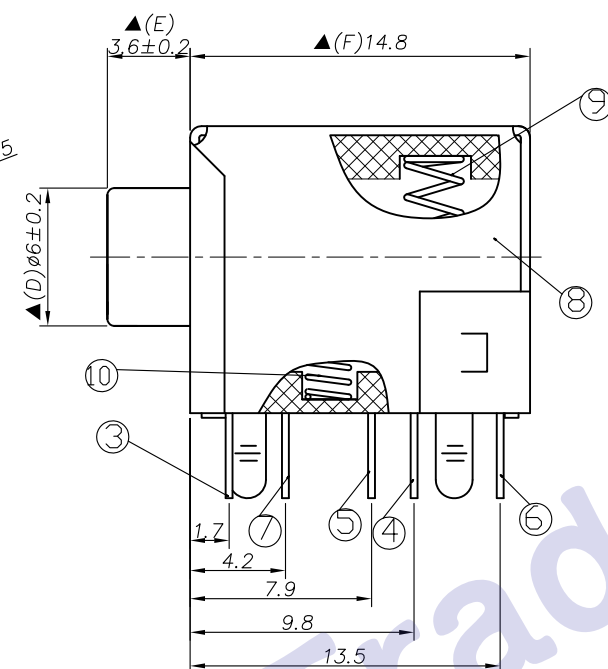
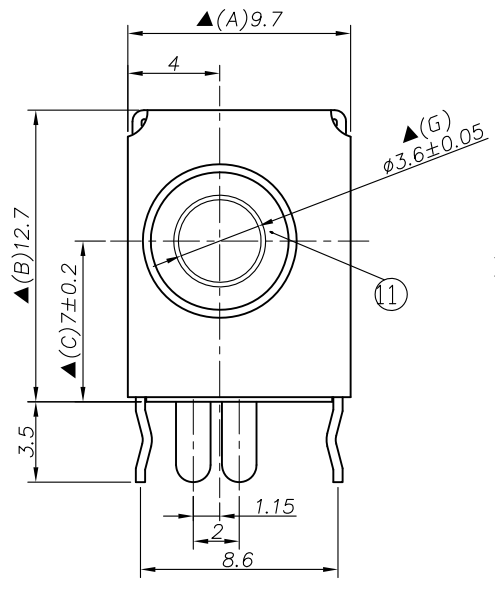
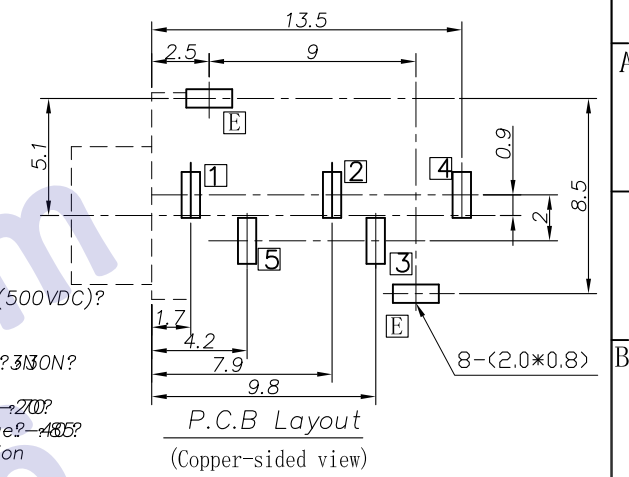


REV. LTR.	DESCRIPTION	SIGN	DATE
▲	Add important dimension of sign	yang gang	2010.04.12



Specification:
 1. Rating ?DC 30V 0.5A?
 2. Contact resistance?≤30mΩ?
 After test:≤50mΩ
 3. Insulation resistance??100MΩ (500VDC)?
 After test: ?50MΩ
 4. Withstand voltage?500VAC ?
 5. Insertion and extraction force?3N?
 6. life test?5000cycles min?
 7. Operation temperature range?~200?
 8. Preservative temperature range?~40?
 9. Sign"? "is importance dimension

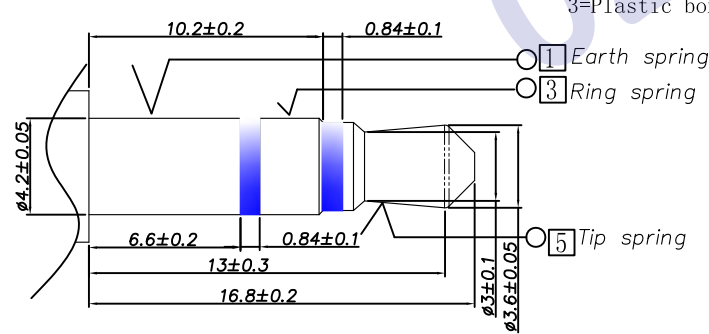
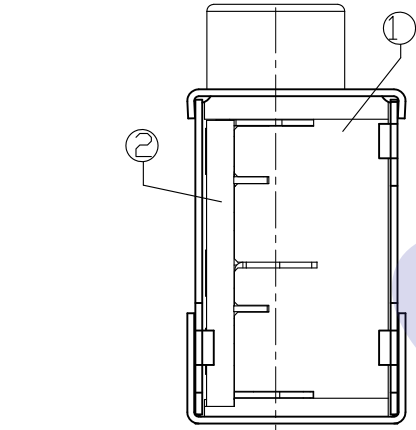


Ordering information:
 PJ30550 - □ PB □□ T □□ 3
 (1) (2) (3) (4) (5) (6) (7)

(1): Series No.
 (2): Schematic option: A B C D
 (3): Material of housing: PB=PBT (Standard) 66=PA66
 (4): Housing color: zero 0A=Black 2R=Red (0046)
 5W=Green (0169) 6A=Blue (0011)
 (5): Terminal plating
 T=The terminal are Tin(Sn) plating,
 but 3#terminal is silver(Ag)plating (Standard)
 S=Silver(Ag) plating
 (6): Special option--Bushing plating
 00=Nickel(Ni) 0G=Gold(Au)
 (7): Packing mode:
 3=Plastic box packing

P/N	PJ30550-A	PJ30550-B	PJ30550-C	PJ30550-D
	PJ-3550	PJ-3550-1	PJ-3550-3	PJ-3550-2
Schematic				

□: TERMINAL NO.



NO.	DESCRIPTION	QTY	MATERIAL	PART NO.	PLATING
①	Bushing	1	Copper alloy	PJ30250-88 (ZT-JK0020)	Nickel(Ni) Plating Gold(Au) Plating
⑩	spring-2	1	Spring wire	PJ30550-66A (TH-860)	Nickel(Ni) plating
⑨	spring-1	1	Spring wire	PJ30550-66B (WK-861)	Nickel(Ni) plating
⑧	Shell	1	Iron	PJ30550-W1 (WK-838)	Nickel(Ni) plating
⑦	Tip spring	⑤	Phosphor bronze 0.25t	PJ30250-05	Tin(sn) plating
⑥	Shunt terminal	④	Brass 0.30t	PJ30250-04 (WP-JK0007)	Tin(sn) plating
⑤	Shunt terminal	②	Brass 0.30t	PJ30250-02 (WP-JK0006)	Tin(sn) plating
④	Ring spring	③	Phosphor bronze 0.25t	PJ30250-03B (仅用于B/D两种线路) (Only used to B/D two kinds of circuit)	Silver(Ag) plating
③	Earth terminal	①	Brass 0.25t	PJ30250-01 (PP-JK0005)	Tin(sn) plating
②	COVER	1	PBT	PJ30250-S2 (GZ-JK0003)	
①	Housing	1	PBT	PJ30250-S1 (ST-JK0019)	

UNIT: MM	TYPE:	MODEL NO:	PAPER NO: A4	PAGE 1 OF 1
	φ3.5 PHONE JACK	PJ30550-_PB_ _T_ _3	TOLERANCE	ANGLES
			±0.3	±2'
			SCALE	VER
			FULL	3

DESIGNER BY: Yang Gang
 CHECK BY: 2010.06.03
 APPROVED BY:

HDC有限公司